



# INSTALLATION INSTRUCTIONS

Accessory  
**TRAILER HITCH**

Application  
**2014 CR-V**

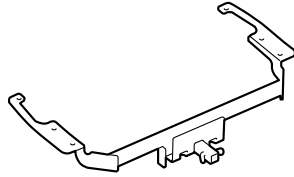
Publications No.  
**All 50034**

Issue Date  
**JULY 2013**

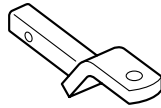
## PARTS LIST

**Trailer Hitch Kit  
P/N 08L92-T0A-100**

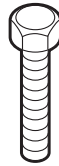
Trailer hitch



Ball mount



6 Hex bolts, 10 x 40 mm



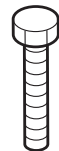
6 Spring washers, 10 mm



6 Plain washers, 10 mm



Hex bolt, 12 x 50 mm



Spring washer, 12 mm



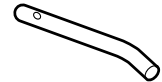
2 Plain washers, 12 mm



Hex nut, 12 mm



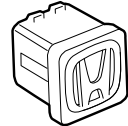
Hitch pin



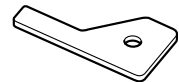
Hitch pin clip



Receiver cover

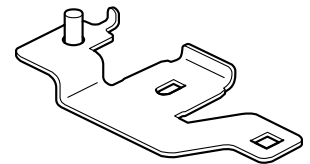


Center plate

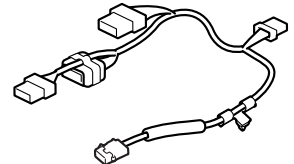


**Trailer Hitch Harness Kit  
P/N 08L91-T0A-100**

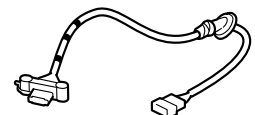
Control unit bracket



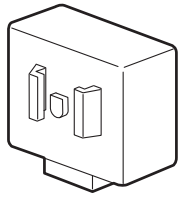
Control unit harness



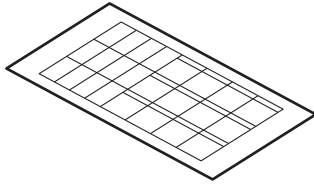
Socket harness



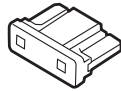
Control unit



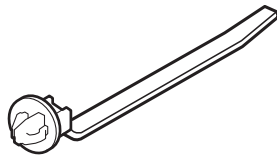
Fuse label



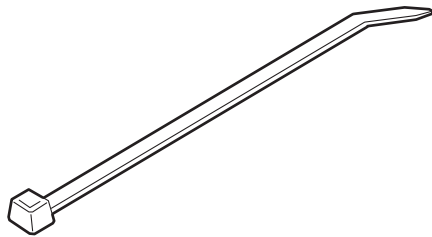
7.5A Fuse



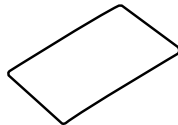
2 Wire ties with clip



7 Wire ties



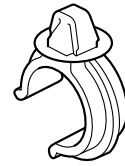
4 Aluminium tapes



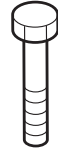
Connector clip



Drain Clip



2 Hex bolts, 6 x 40 mm



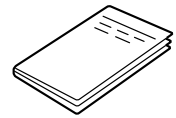
3 Flange nuts, 6 mm



Pillar clip



Accessory User's Information Manual



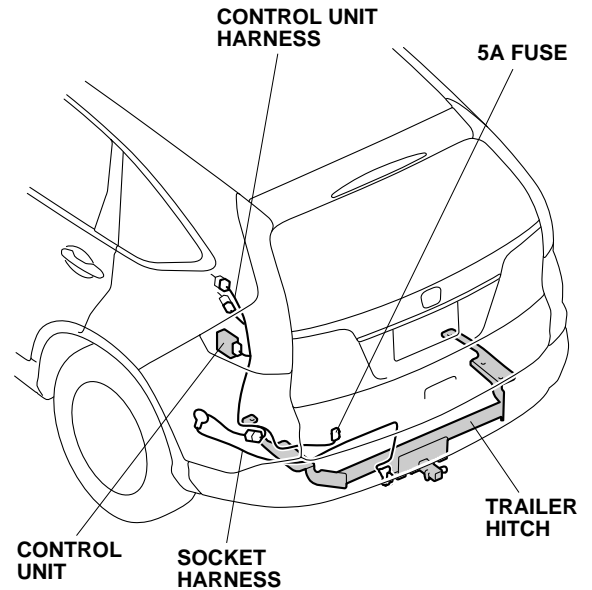
## TOOLS AND SUPPLIES REQUIRED

Phillips screwdriver  
Small flat-tip screwdriver  
10 mm Open end wrench  
10 mm, 14 mm, 17 mm, and 19 mm Sockets  
Pushpin  
Ratchet  
3 mm and 6 mm Drill bits  
Eye protection (face shield, safety goggles, etc.)  
File  
Blanket  
Isopropyl alcohol  
Shop towel  
20 mm Hole saw  
Drill  
Tape  
Hex wrench  
Diagonal cutters  
Felt-tip pen  
Utility knife  
Rubber mallet  
Torque wrench  
Ruler

*The following tools are available through the Honda Tool and Equipment program. On the iN, click on: Service > Service Bay > Tool and Equipment Program, then enter the number under "Search." Or call 888-424-6857.*

- Air Saw (Snap-on AT192A)
- Trim Tool Set (T/N: SOJATP2014)

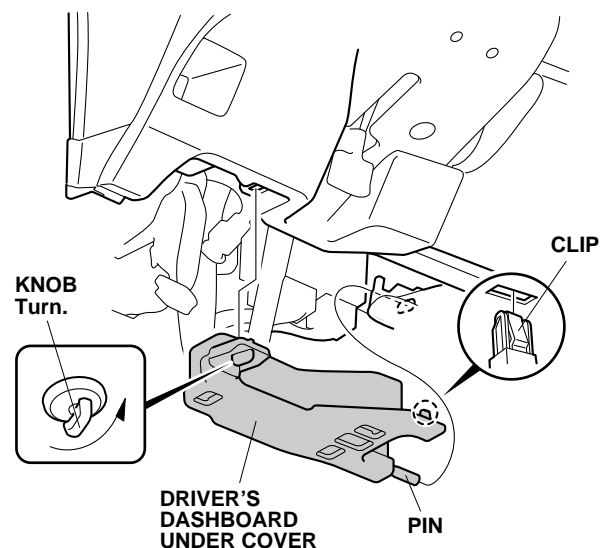
## Illustration of the Trailer Hitch on the Vehicle



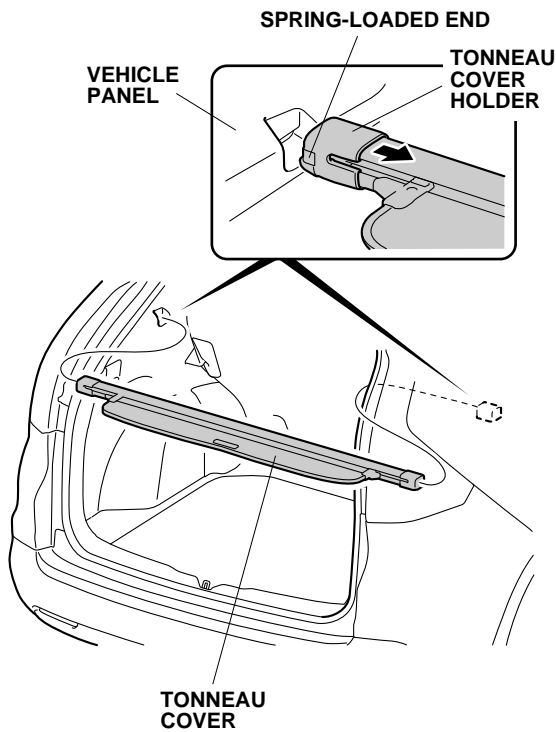
## INSTALLATION

**Customer Information:** The information in this installation instruction is intended for use only by skilled technicians who have the proper tools, equipment, and training to correctly and safely add equipment to your vehicle. These procedures should not be attempted by "do-it-yourselfers."

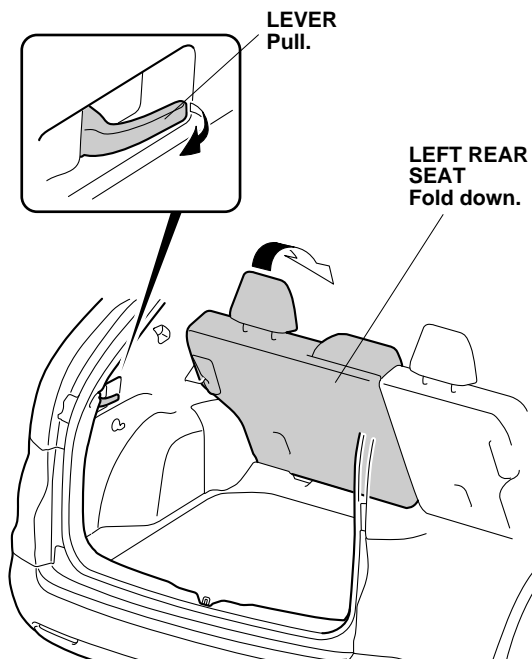
1. Disconnect the negative cable from the battery.
2. Remove the driver's dashboard under cover (turn the knob, one clip and one pin).



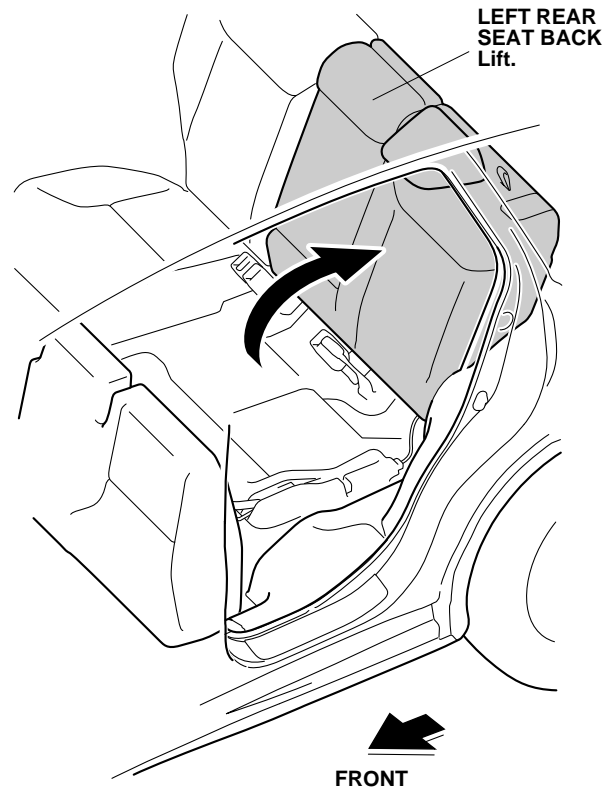
3. If equipped, remove the tonneau cover (compress the spring-loaded end, and remove).



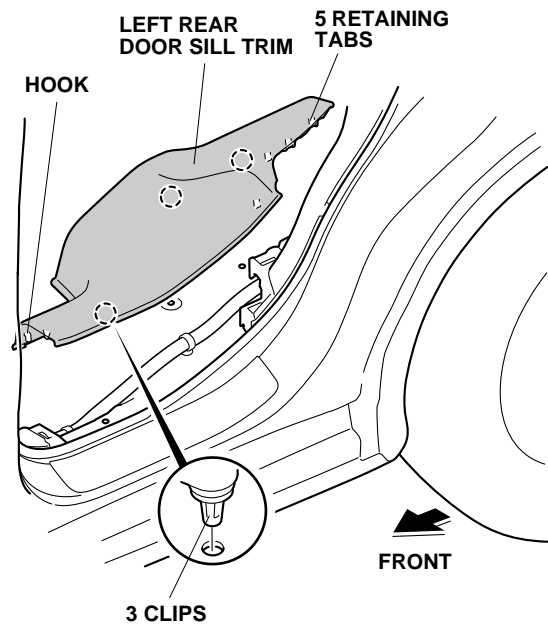
4. Pull the lever, and fold down the left rear seat.



5. Lift the left rear seat back.

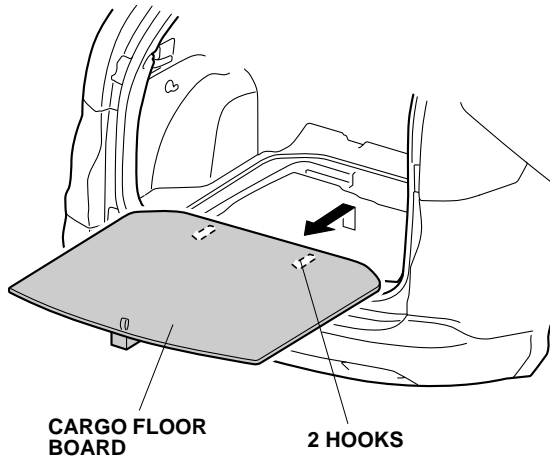


6. Remove the left rear door sill trim (three clips, five retaining tabs, and one hook).

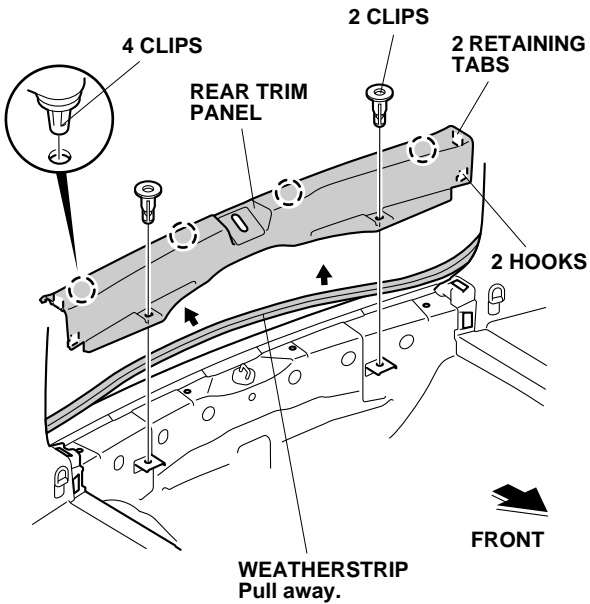


7. Pull the lever, and fold down the left rear seat back.

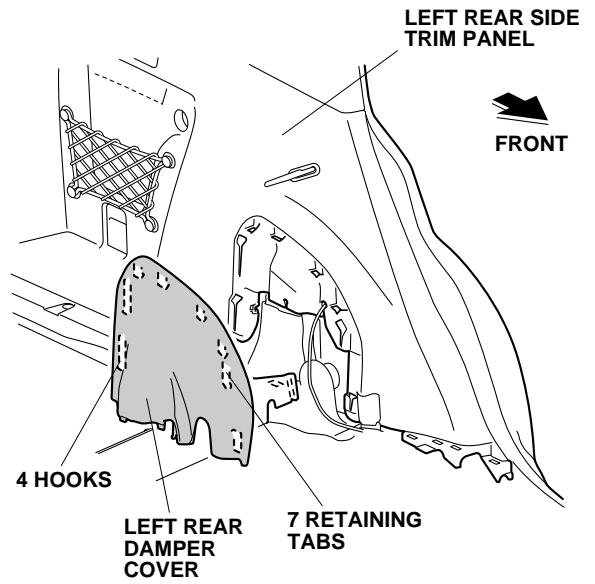
8. Remove the cargo floor board (two hooks).



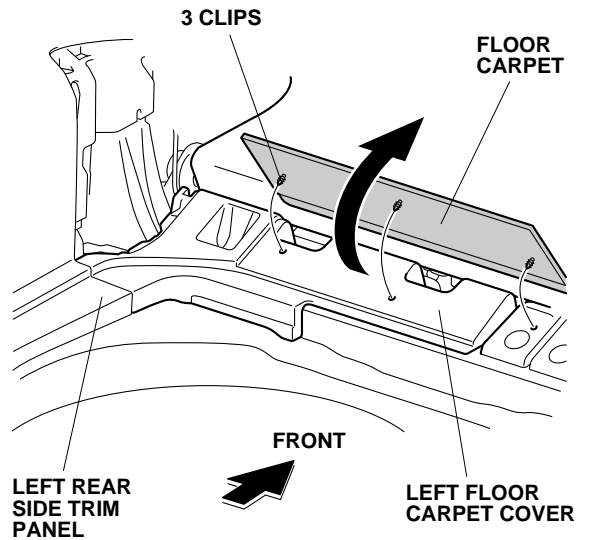
9. Pull away the weatherstrip, and remove the rear trim panel (two retaining tabs, six clips, and two hooks).



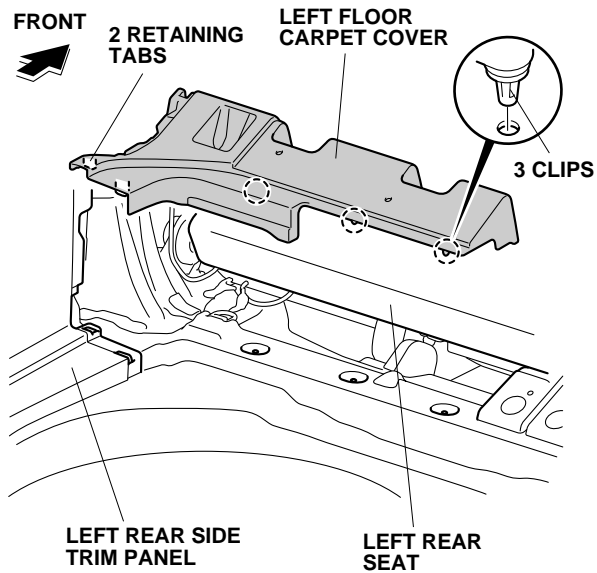
10. Remove the left rear damper cover (seven retaining tabs, four hooks, and lift up).



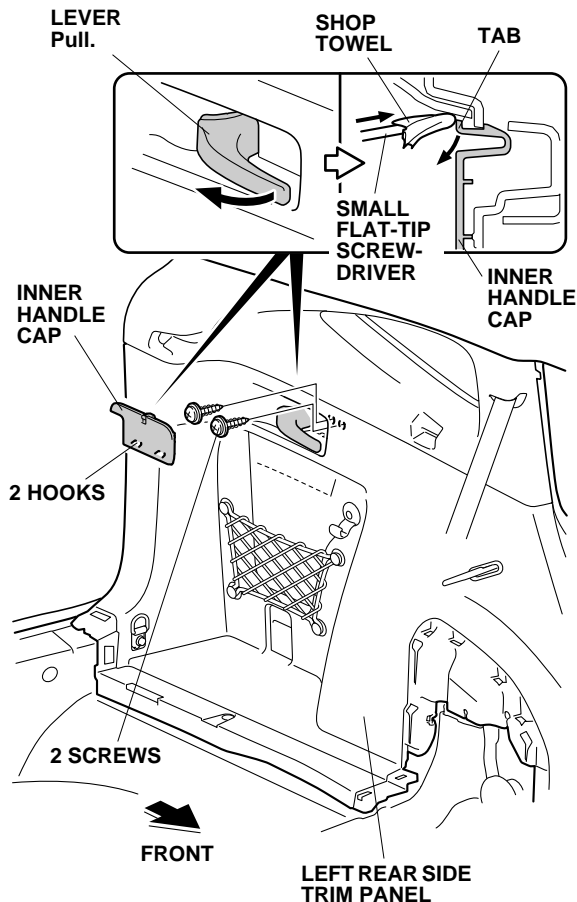
11. Release the floor carpet from the left floor carpet cover (three clips).



12. Remove the left floor carpet cover (three clips and two retaining tabs).

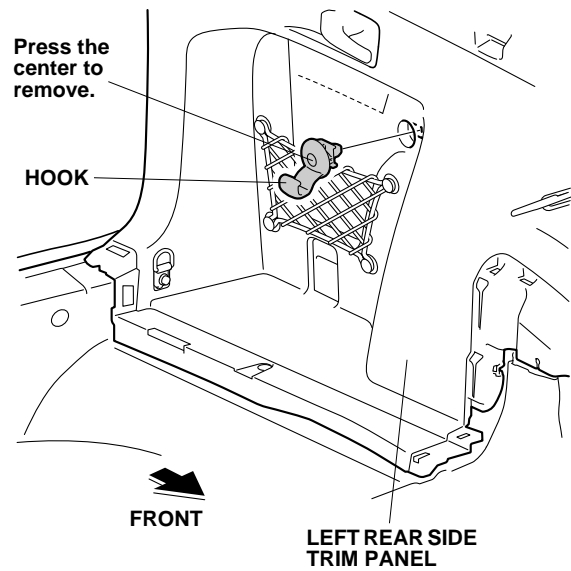


13. Gently pull the lever on the left rear side trim panel and use a small flat-tip screwdriver wrapped with a shop towel, to remove the inner handle cap (one tab and two hooks).

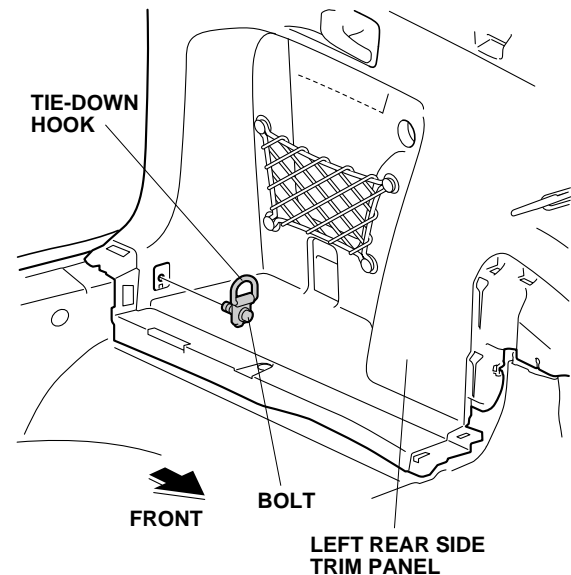


14. Remove two screws.

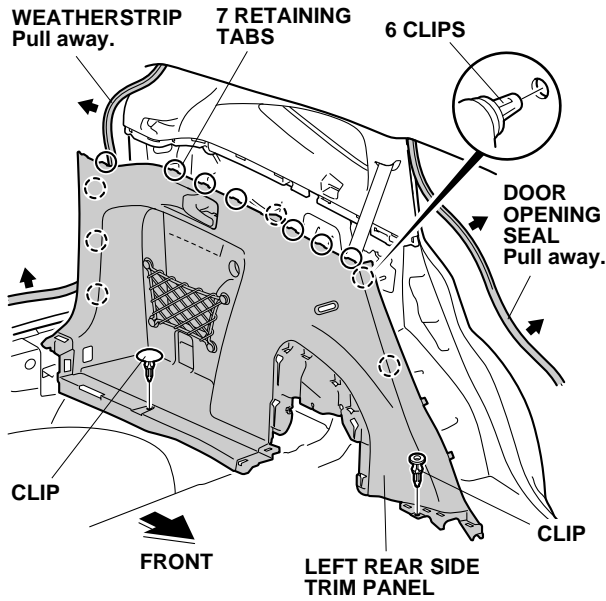
15. Press the center of the hook and remove the hook from the left rear side trim panel.



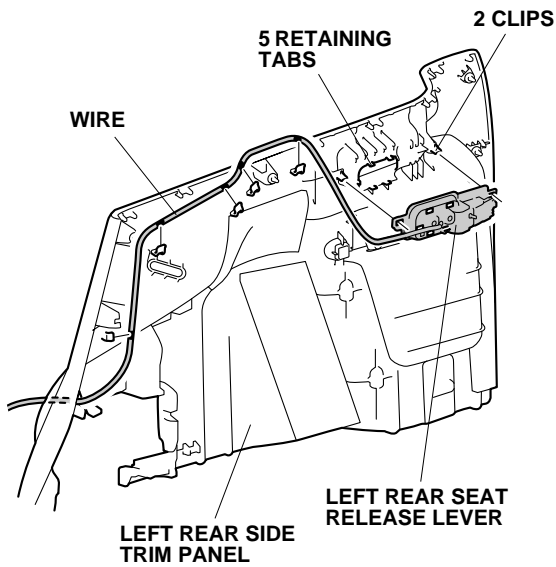
16. Remove the tie-down hook (one bolt).



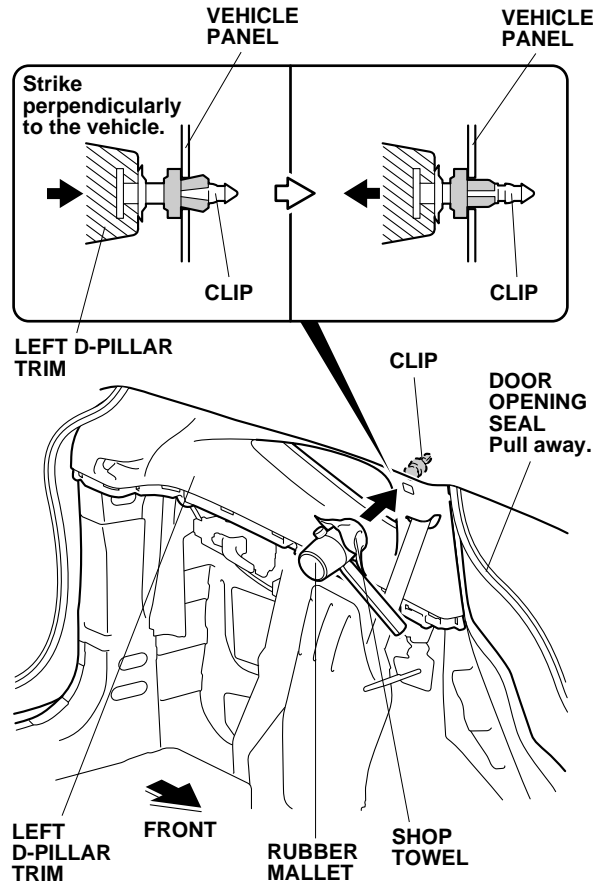
- Pull away the weatherstrip from around the left rear side trim panel at the tailgate, and remove the door opening seal at the left rear door. Starting at the front, release the left rear side trim panel (eight clips and seven retaining tabs).



- Release the wire and remove the left rear seat release lever (two clips and five retaining tabs), then remove the left rear side trim panel.

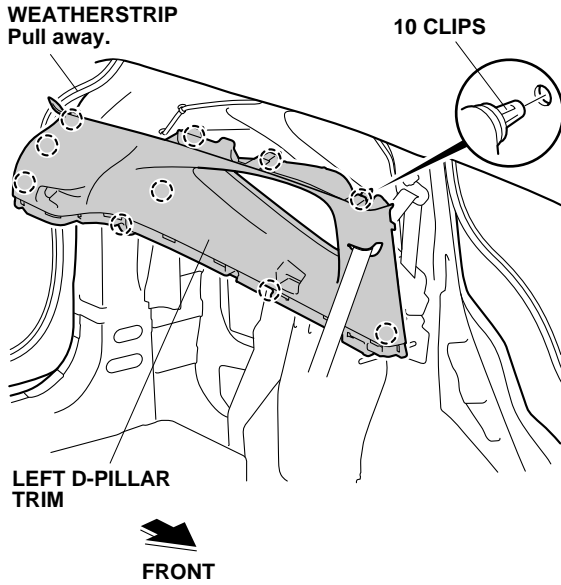


- Pull away the door opening seal from around the left D-pillar trim.

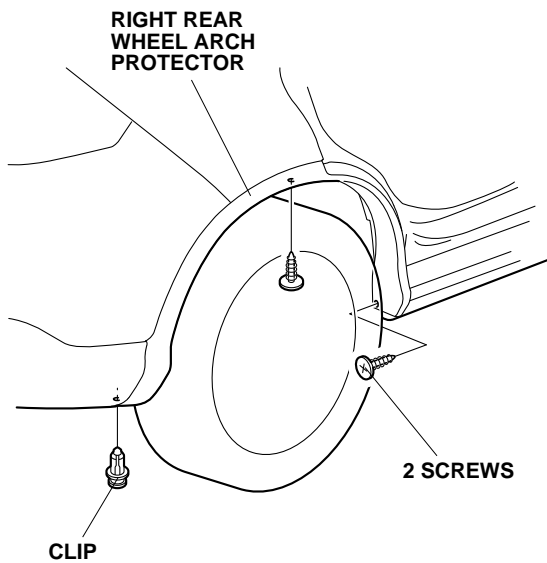


- Using a rubber mallet wrapped with a shop towel, lightly tap the area marked "SIDE CURTAIN AIRBAG" on the left D-pillar trim to push in the clip. Make sure to strike area perpendicularly to the vehicle.

21. Remove the left D-pillar trim (ten clips).

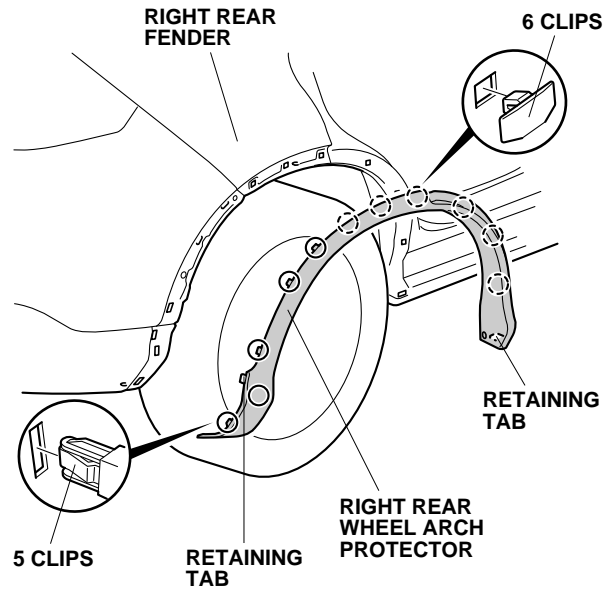


22. Open the right rear door.



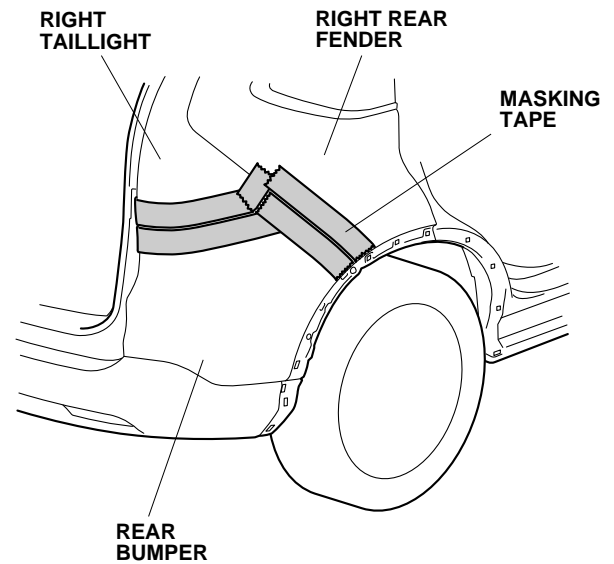
23. Remove the one clip and the two screws from the right rear wheel arch protector. If equipped, remove the splash guards.

24. Remove the right rear wheel arch protector (eleven clips and two retaining tabs).



25. Remove the left rear wheel arch protector the same way.

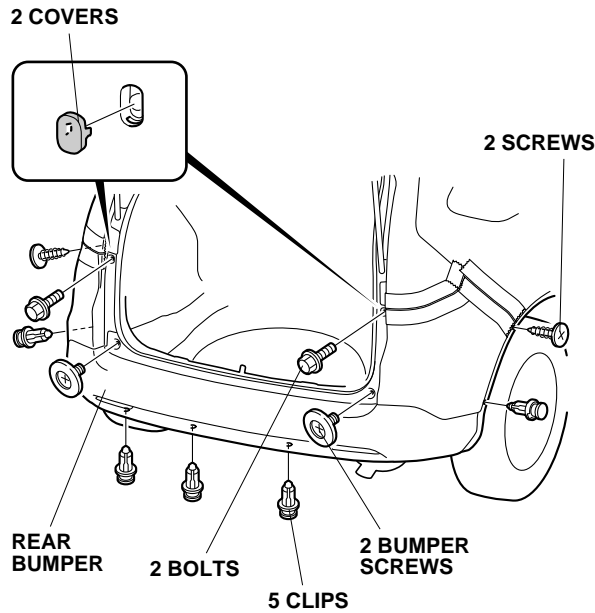
26. On each side of the vehicle, apply masking tape to the rear bumper, right taillight and right rear fender as shown.



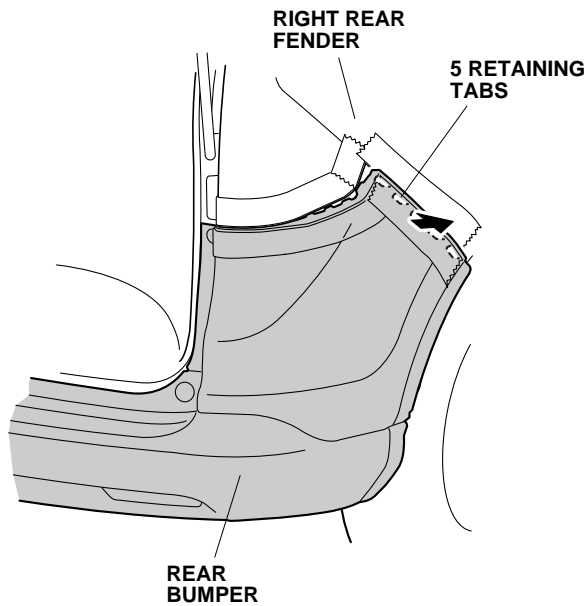


27. Remove the rear bumper.

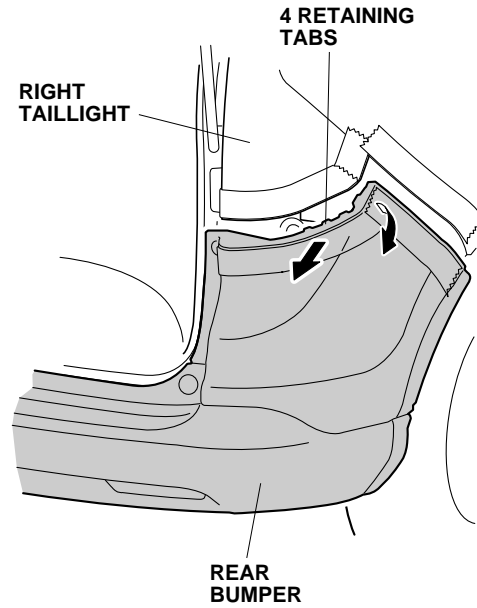
- Remove the two covers, two bumper screws, two bolts, two screws, and five clips.



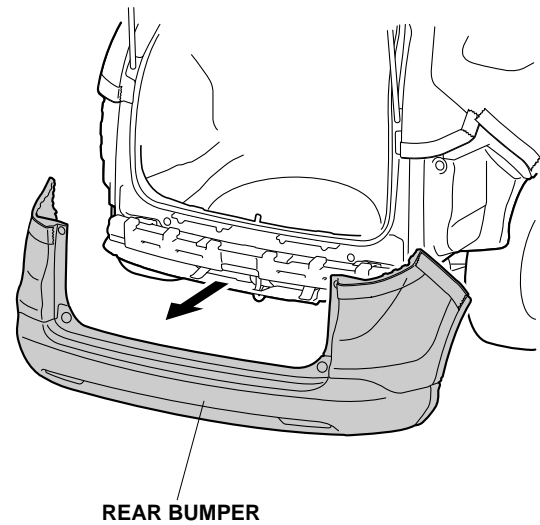
- On each side, release five retaining tabs along the fenderwell.



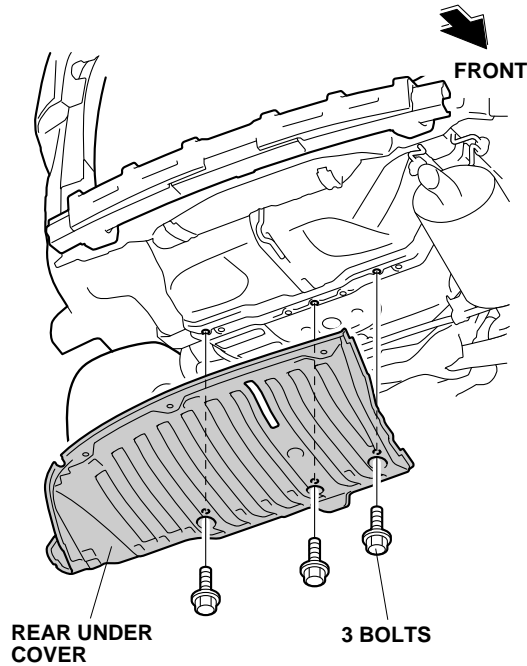
- On each side, release four retaining tabs.



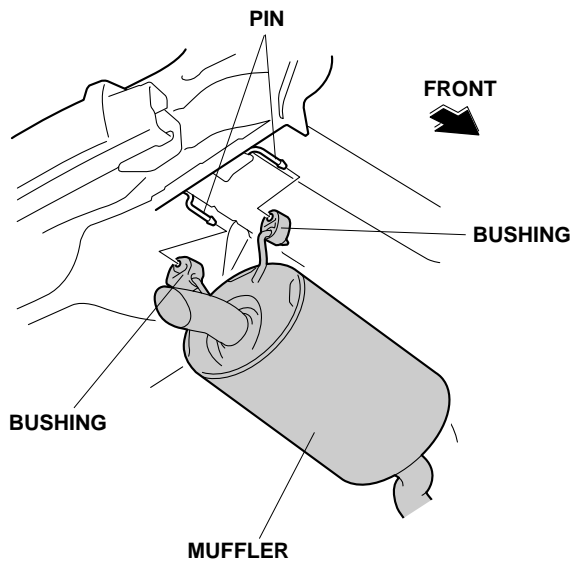
- With the help of an assistant, remove the rear bumper.
- Place the rear bumper on a blanket after removal.



28. Remove the rear under cover (three bolts).

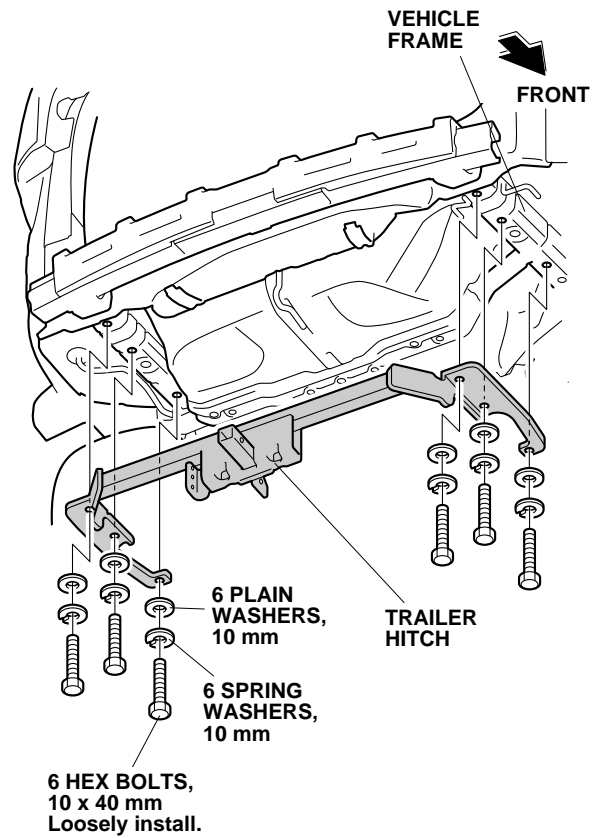


29. Remove the two muffler bushings from the vehicle pins.  
NOTE: Be careful not to damage the muffler.

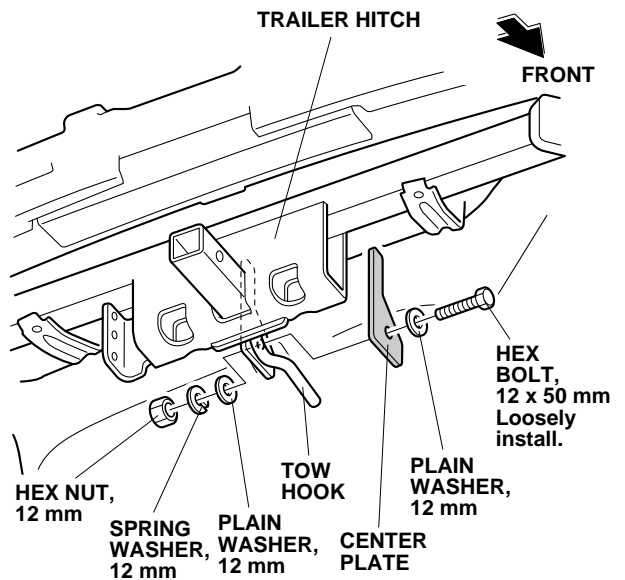


### Installing the Trailer Hitch

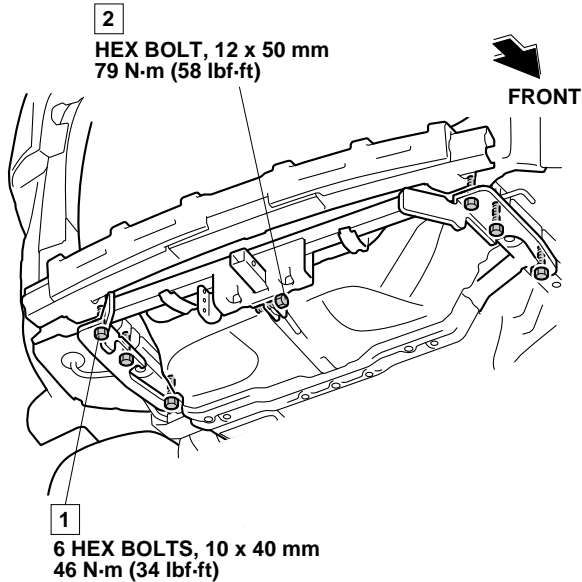
30. Loosely install the trailer hitch on the vehicle frame with six 10 mm plain washers, six 10 mm spring washers, and six 10 x 40 mm hex bolts.



31. Loosely install the center plate to the trailer hitch with two 12 mm plain washers, one 12 mm spring washer, one 12 mm hex nut, and one 12 x 50 mm hex bolt through the tow hook.

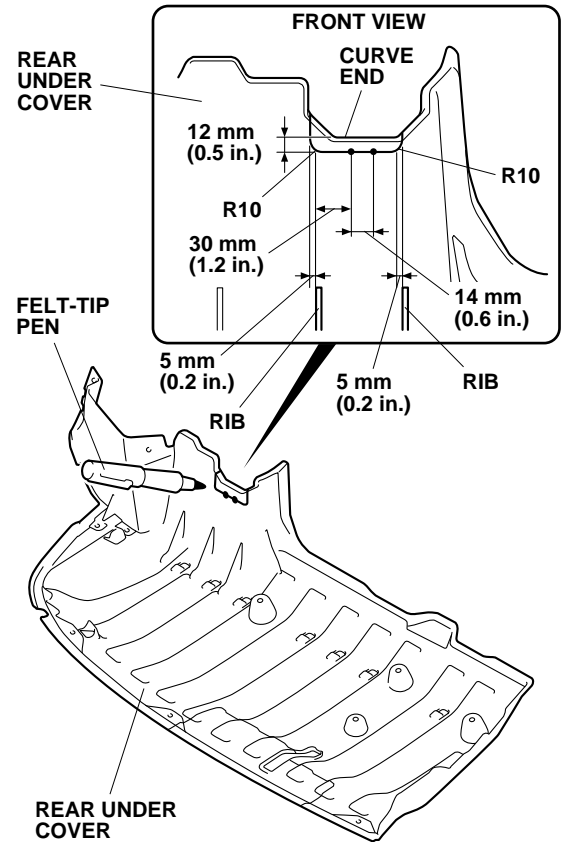


32. Tighten the bolts to the specified torque in the order of **1** and **2**. Torque the 10 x 40 mm hex bolts to 46 N·m (34 lbf·ft). Torque the 12 x 50 mm hex bolt to 79 N·m (58 lbf·ft).

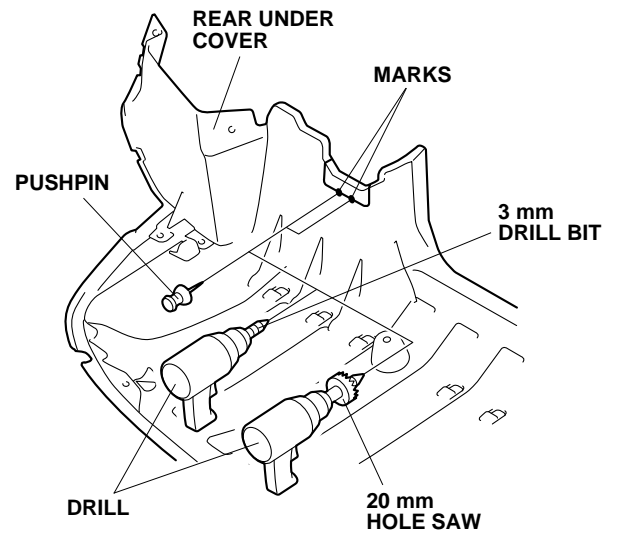


33. Reconnect the muffler bushings to the vehicle pins.

34. Using a felt-tip pen, mark the rear under cover at the measurements shown.

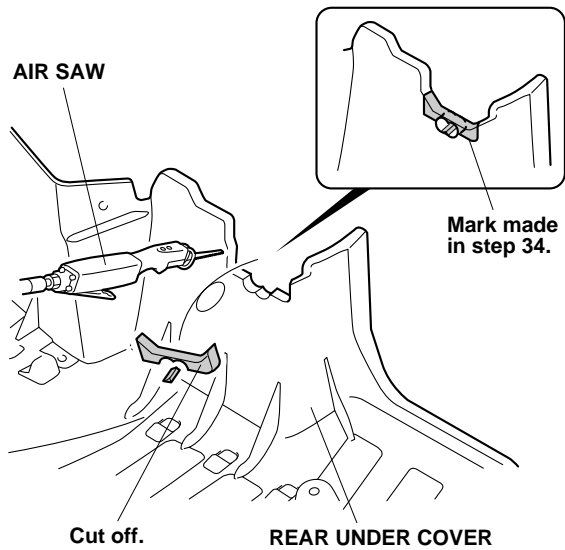


35. Using a pushpin, pierce the center of each mark made in step 34 on the rear under cover.

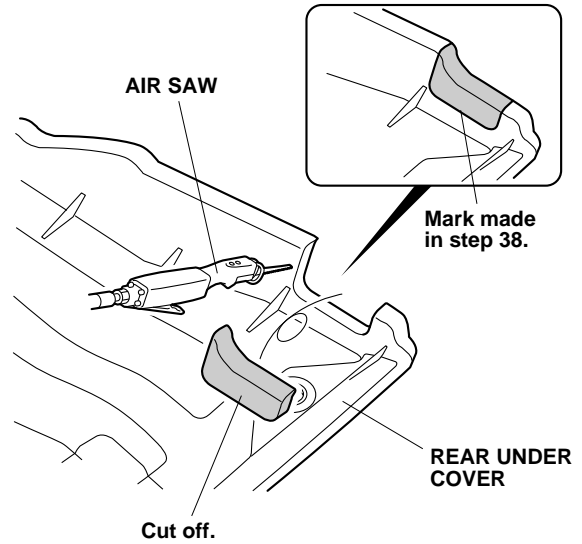


36. While wearing eye protection, drill each pierced mark on the rear under cover. First drill with a 3 mm drill bit, then enlarge each hole to 20 mm using a 20 mm hole saw.

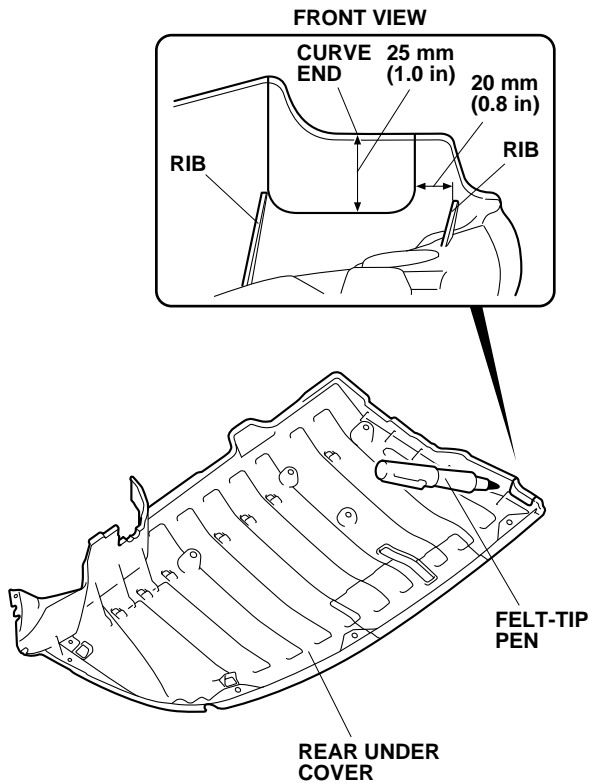
37. While wearing eye protection, use an air saw to cut the rear under cover at the mark made in step 34. Remove any burrs and sharp edges from the corners.



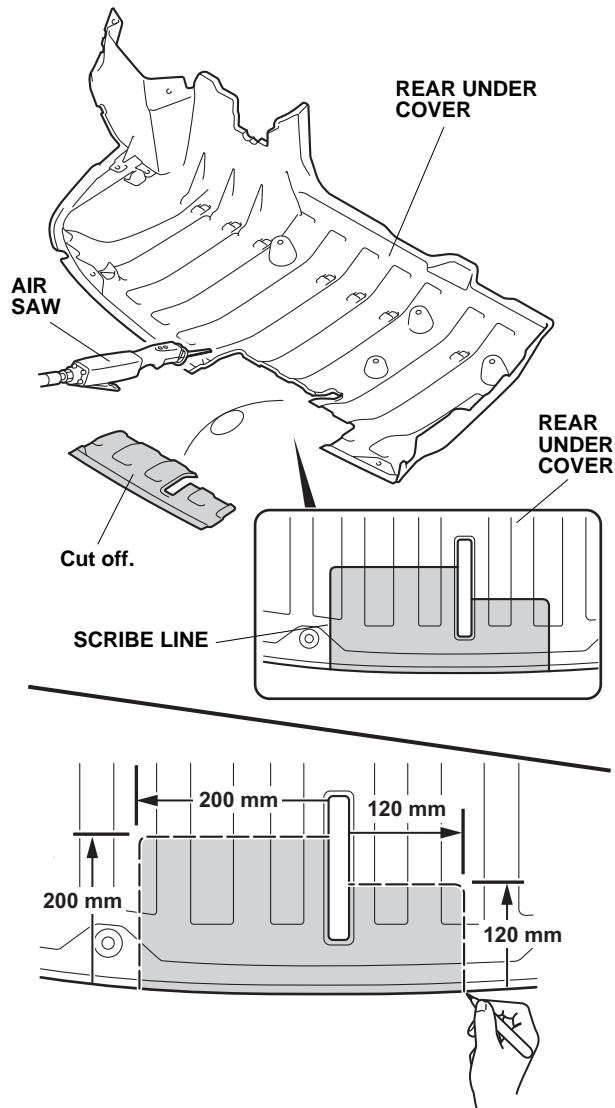
39. Using an air saw, cut the rear under cover at the mark made in step 38. Remove any burrs and sharp edges from the corners.



38. Using a felt-tip pen, mark the rear under cover at the measurements shown.

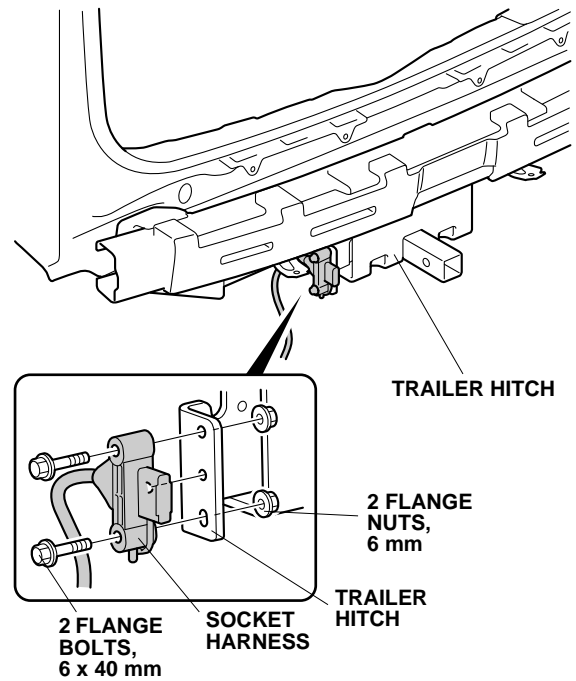


40. Using an air saw, cut the rear under cover along the scribe line as shown. Remove any burrs and sharp edges from the corners.  
NOTE: Some rear under covers may not have the scribe line. If not, use the measurements shown.

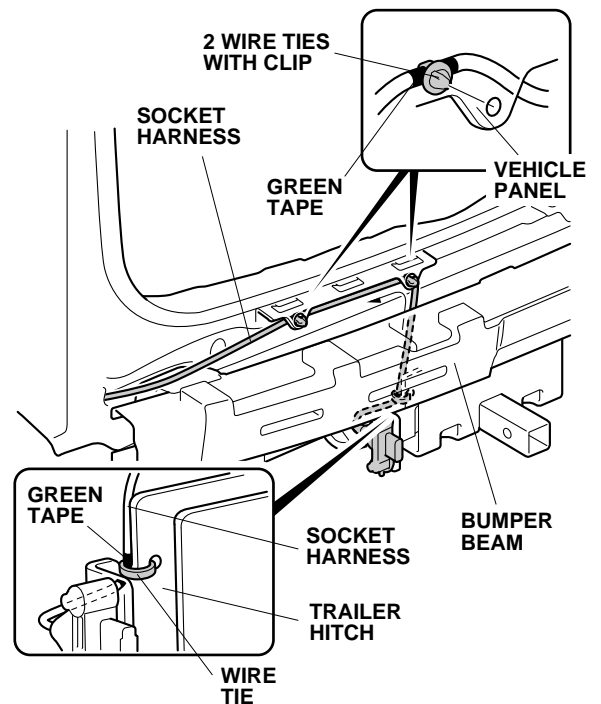


## Routing the Socket Harness

41. Secure the socket harness to the trailer hitch with two 6 x 40 mm flange bolts and two 6 mm flange nuts.

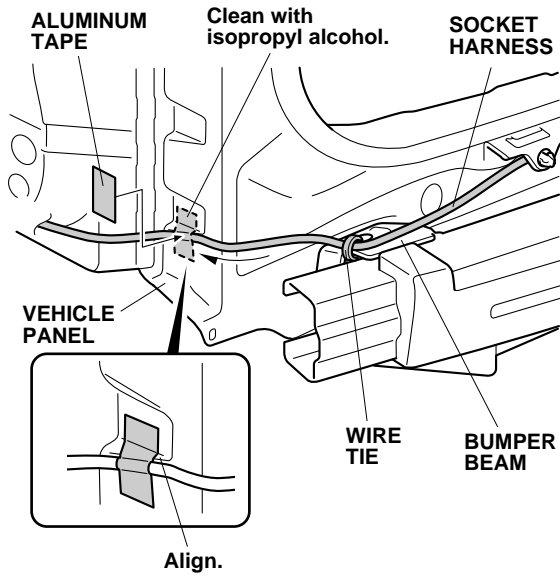


42. Route the socket harness along the rear bumper as shown.

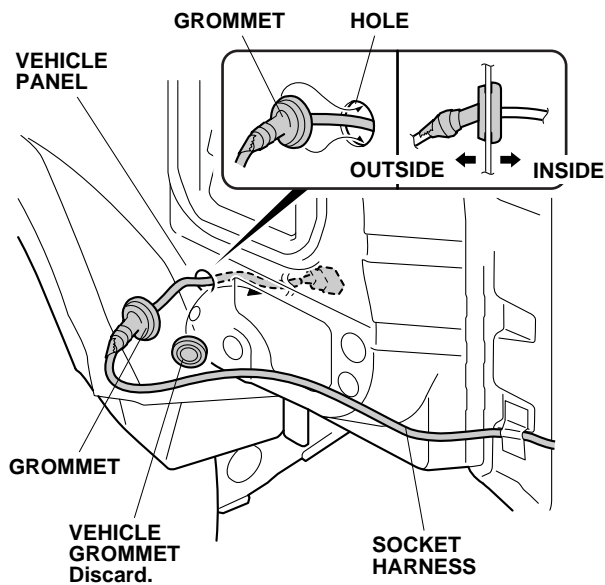


43. At the first green tape, secure the socket harness to the trailer hitch with one wire tie. At the next two green tapes, secure the socket harness to the vehicle panel with two wire ties with clip.

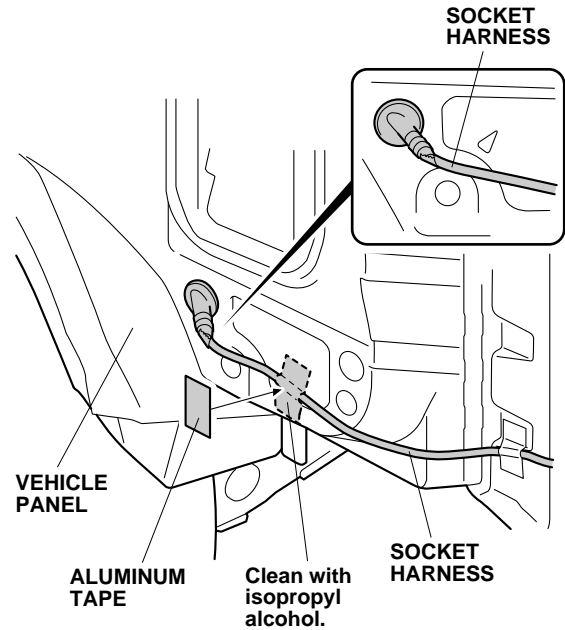
44. Route the socket harness as shown, and secure it to the hole in the bumper beam with one wire tie.



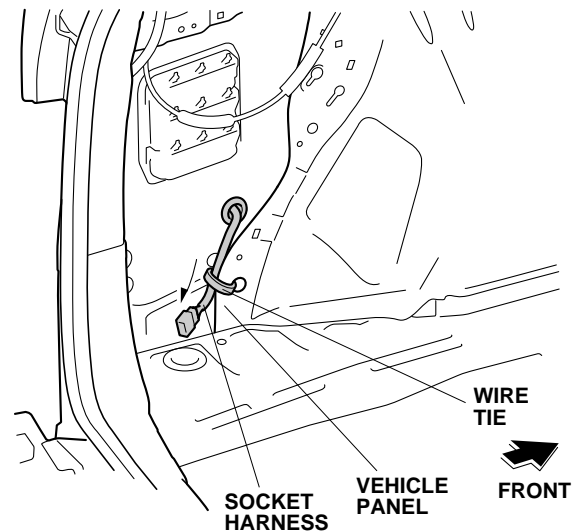
45. Using isopropyl alcohol on a shop towel, thoroughly clean the area where the aluminium tape will attach. Secure the socket harness to the vehicle panel with one aluminum tape.
46. Remove the forward vehicle grommet from the vehicle panel, and route the socket harness through the hole. Seat the grommet on the socket harness to the vehicle panel hole.  
NOTE: Do not pull on the socket harness when installing the grommet.



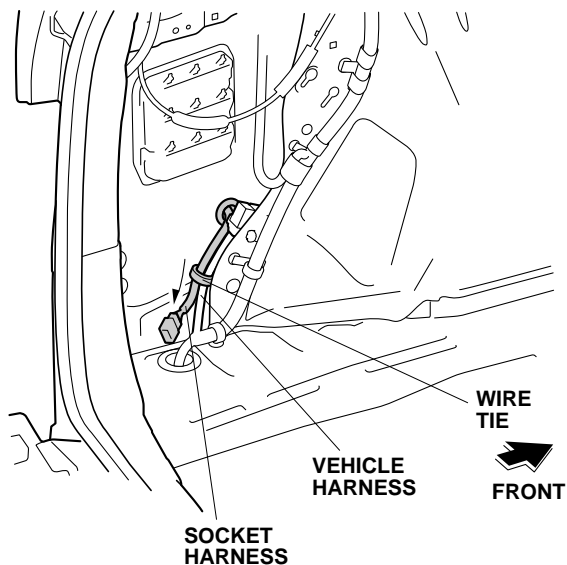
47. Using isopropyl alcohol on a shop towel, thoroughly clean the area where the aluminium tape will attach. Secure the socket harness to the vehicle panel with one additional aluminum tape.



48. Inside the vehicle, secure the socket harness. 2WD vehicle: Route the socket harness as shown, and secure it to the vehicle panel with one wire tie.

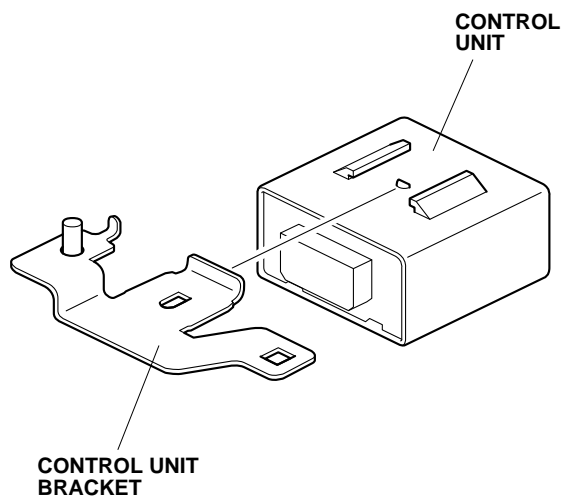


4WD vehicle: Route the socket harness along the vehicle harness and secure it to the vehicle harness with one wire tie.

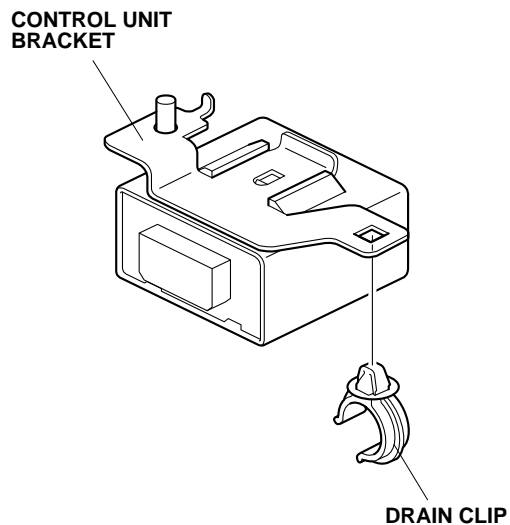


### Installing the Control Unit

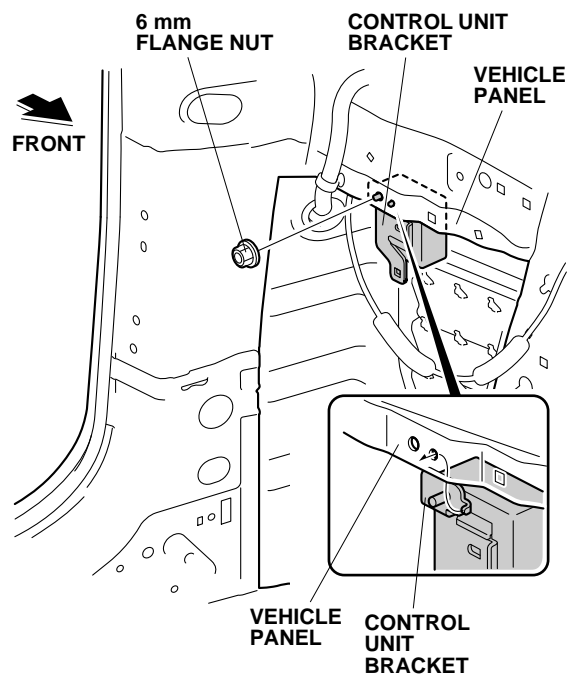
49. Install the control unit bracket to the control unit.



50. If the vehicle is equipped with a moonroof, install the drain clip to the control unit bracket.

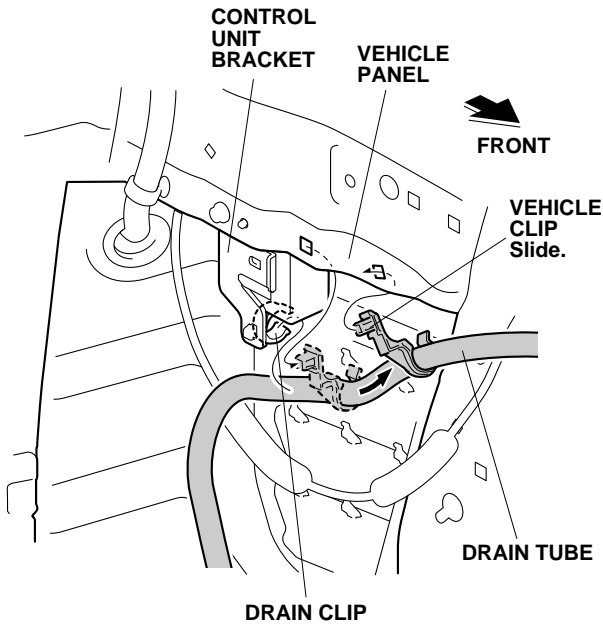


51. Install the control unit bracket to the vehicle panel with one 6 mm flange nut.



If the vehicle is equipped with a moonroof, continue with step 52. Otherwise, go to step 55.

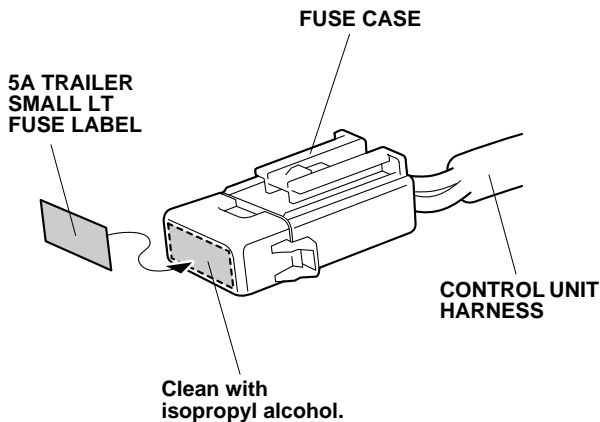
52. Release the drain tube (one clip).



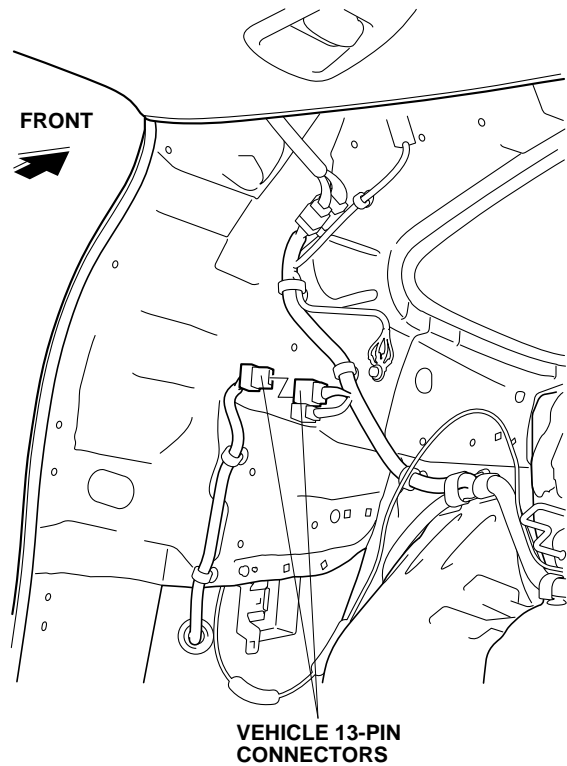
53. Slide the drain tube as shown and secure it to the vehicle panel with the vehicle clip just moved.
54. Secure the drain tube to the control unit bracket with the drain clip.

### Routing the Control Unit Harness

55. Using isopropyl alcohol on a shop towel, thoroughly clean the area where the fuse label will attach. Attach the 5A trailer small lt fuse label to the fuse case on the control unit harness.

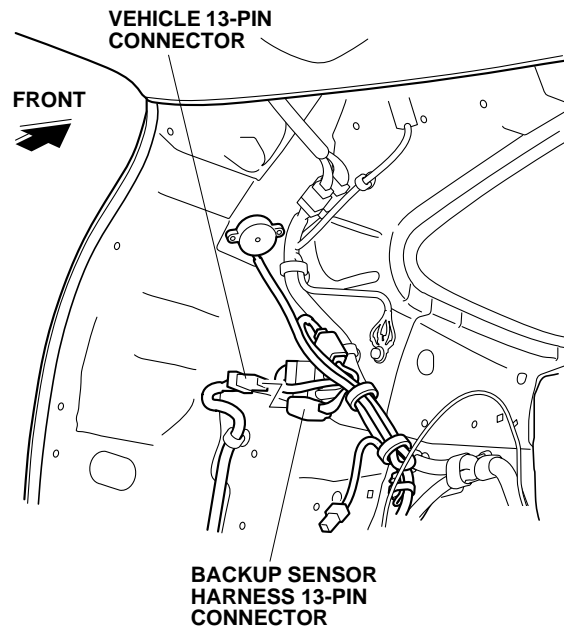


56. Locate and unplug the vehicle 13-pin connector as shown.



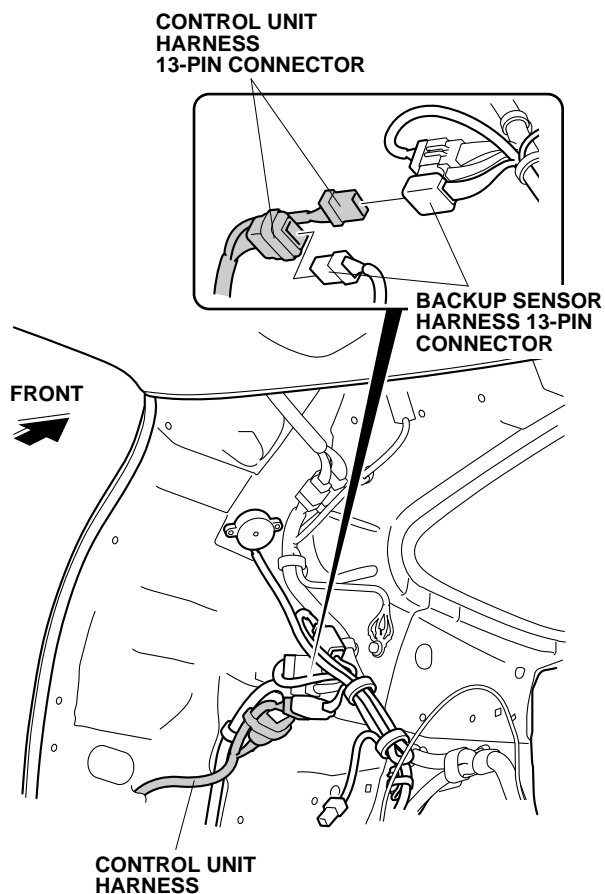
If the vehicle is equipped with a accessory backup sensor, continue with step 57. Otherwise, go to step 60.

57. Unplug the vehicle 13-pin connector from the backup sensor harness 13-pin connector.



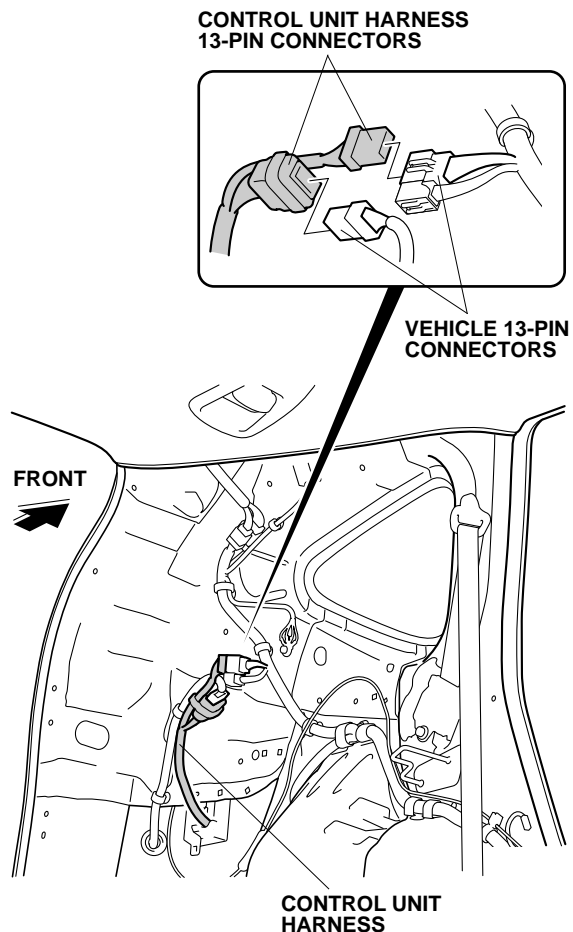


58. Plug the control unit harness 13-pin connector into the backup sensor harness 13-pin connector.

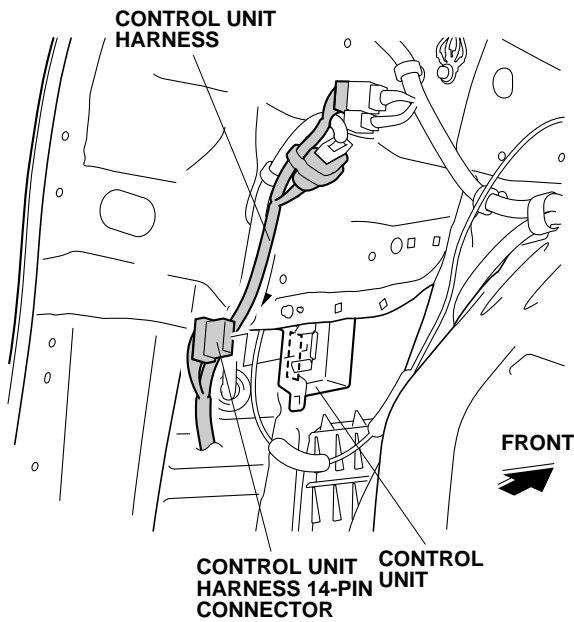


59. Plug the vehicle 13-pin connector into the control unit harness 13-pin connector. Go to step 61.

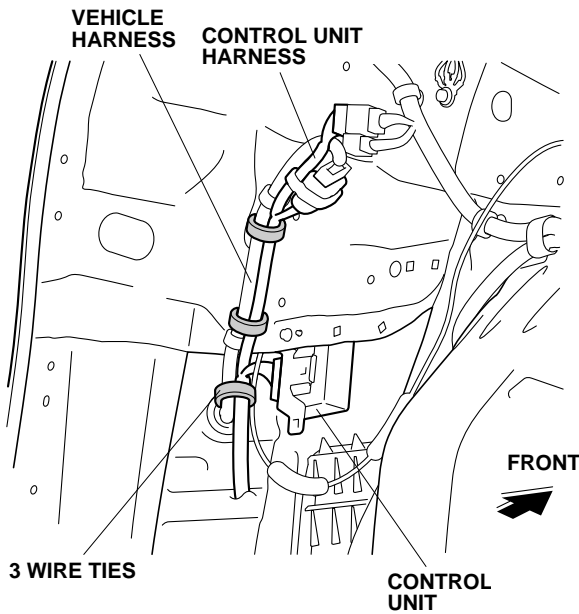
60. **Without backup sensor harness:** Plug the two control unit harness 13-pin connectors in between the two vehicle 13-pin connectors.



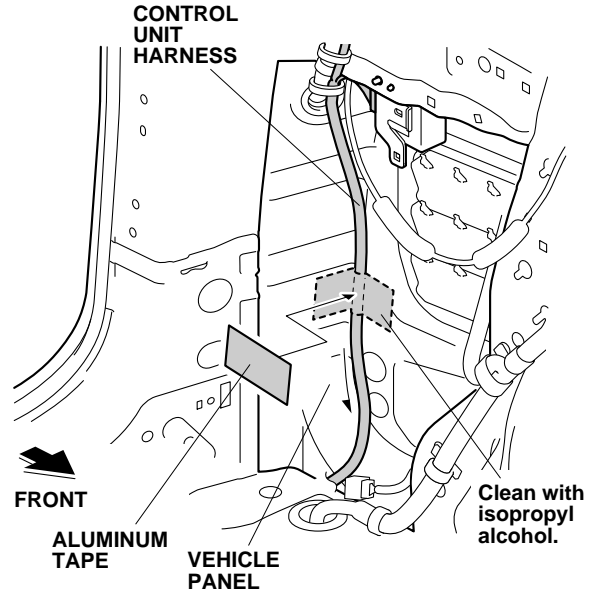
61. Route the control unit harness along the vehicle harness.



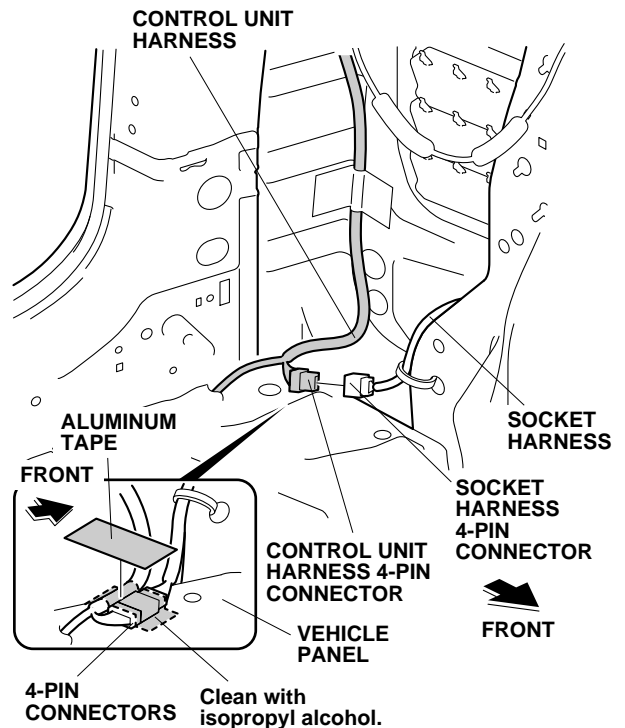
62. Plug the control unit harness 14-pin connector into the control unit.
63. Secure the control unit harness to the vehicle harness with three wire ties.



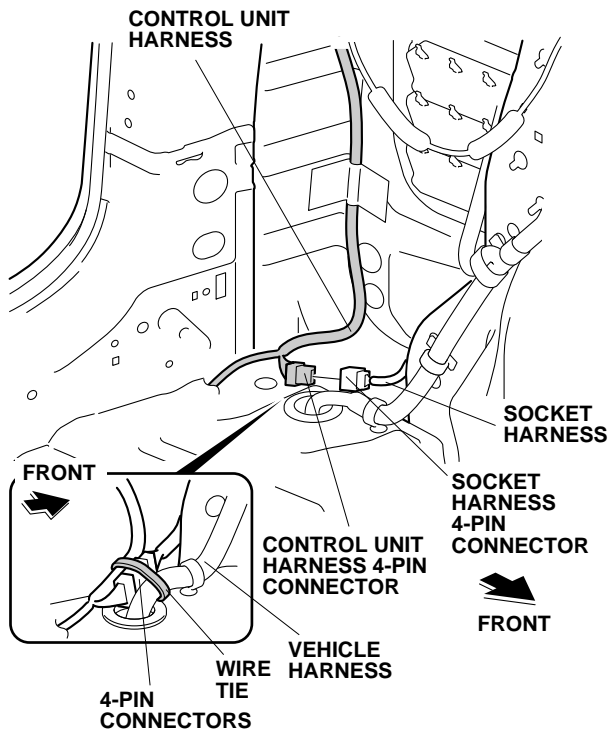
64. Route the control unit harness as shown.



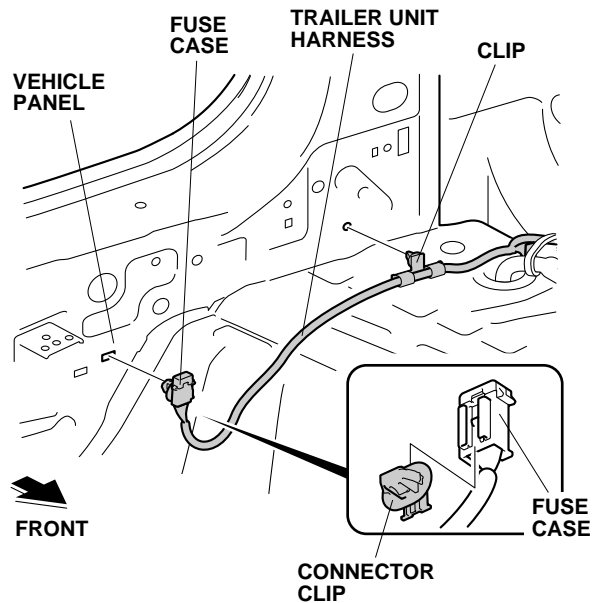
65. Using isopropyl alcohol on a shop towel, thoroughly clean the area where the aluminium tape will attach. Secure the control unit harness to the vehicle panel with one aluminium tape.
66. Secure the 4-pin connectors.  
 2WD vehicle: Plug the control unit harness 4-pin connector to the socket harness 4-pin connector and using isopropyl alcohol on a shop towel, thoroughly clean the area where the aluminium tape will attach. Secure the 4-pin connectors to the vehicle panel.



4WD vehicle: Plug the control unit harness 4-pin connector to the socket harness 4-pin connector and secure the 4-pin connectors to the vehicle harness with one wire tie.



67. Install the connector clip to the fuse case on the control unit harness.

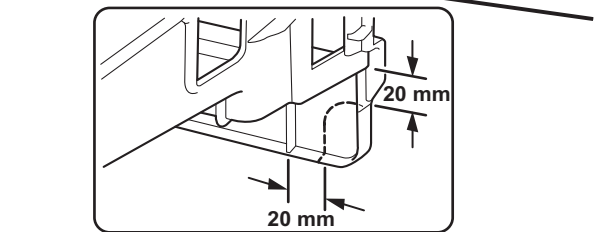
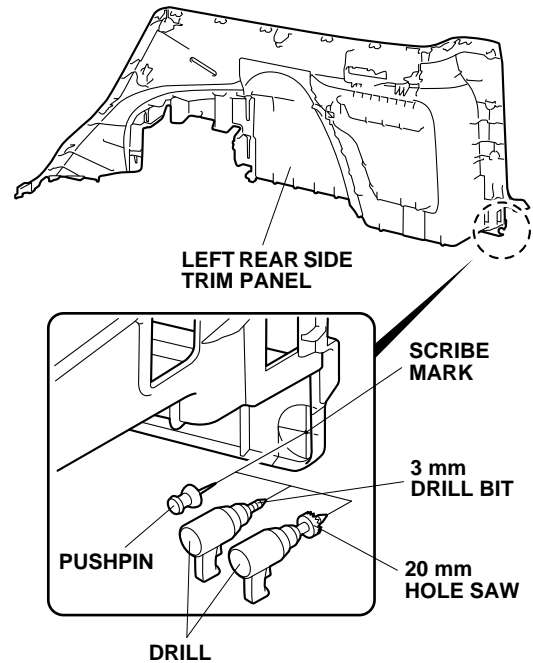


68. Route the fuse case on the control unit harness as shown, and secure it to the vehicle panel with connector clip installed in step 67.

69. Secure the clip on the trailer unit harness to the vehicle panel as shown.

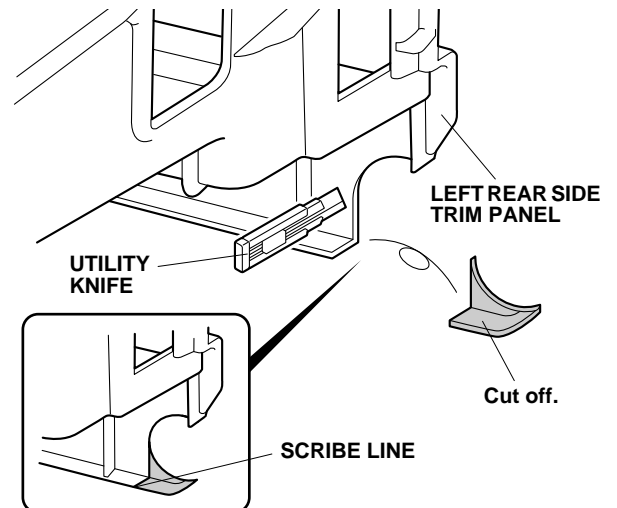
70. Using a pushpin, pierce the center of the scribe mark on the left rear side trim panel.

NOTE: Some left rear side trim panels may not have the scribe line. If not, use the measurement shown.

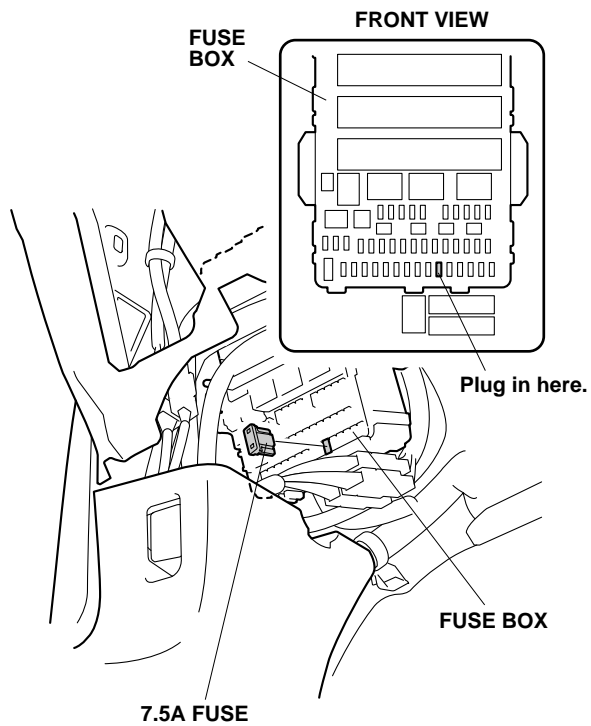


71. While wearing an eye protection, drill the mark on the left rear side trim panel with a 3 mm drill bit. Enlarge the 3 mm hole to 20 mm using 20 mm hole saw.

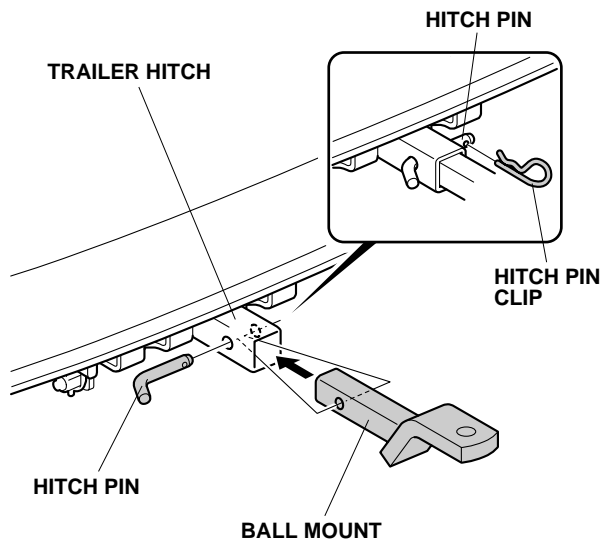
72. Using a utility knife, cut the left rear side trim panel along the scribe line as shown. Remove any burrs.



73. Under the dashboard, install the 7.5A fuse into the fuse box as shown.

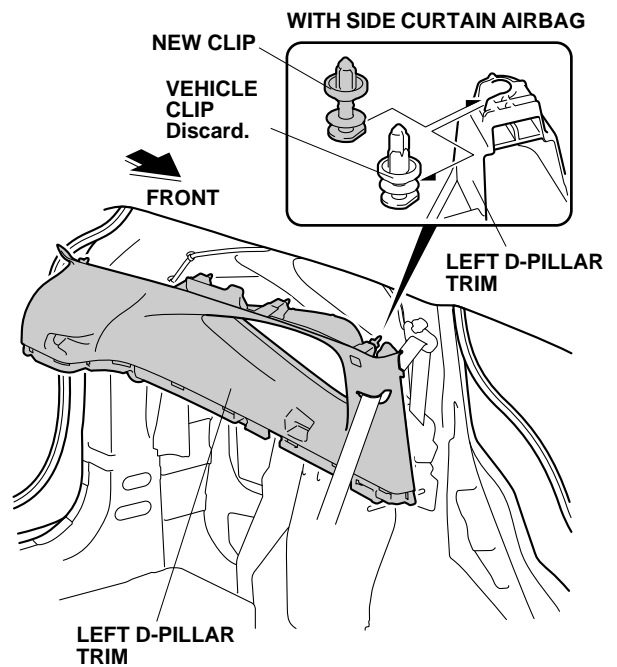


74. With the help of an assistant, reinstall the rear under cover and the rear bumper.



75. Secure the ball mount to the trailer hitch with the hitch pin and hitch pin clip.

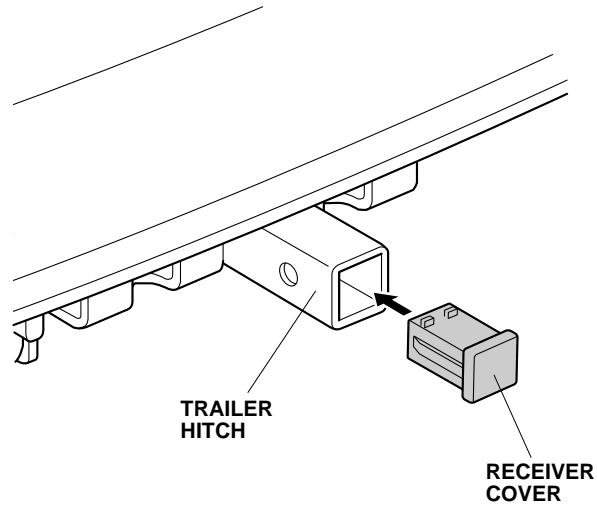
76. Remove and discard the vehicle clip, and install the new clip to the left D-pillar trim.



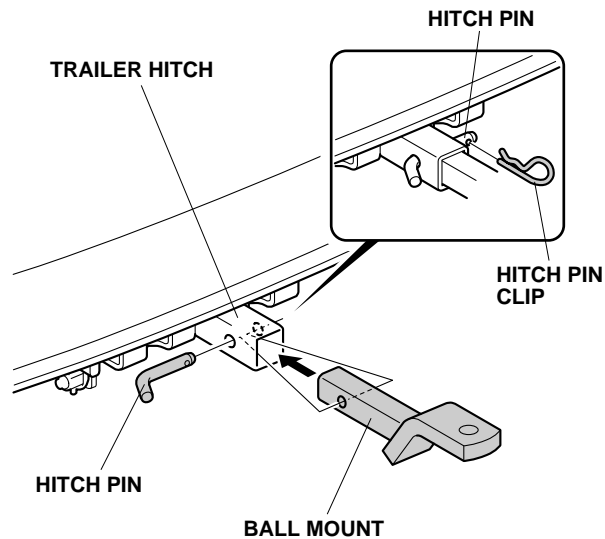
77. Check the overlap between the headliner and the D-pillar trim.  
NOTE: Check and adjust the overlap as described in the Service Manual.
78. Reinstall the left D-pillar trim.  
NOTE: Make sure the side curtain airbag is not tucked under the clip. Do not push the D-pillar trim excessively.
79. Check that all wire harnesses are routed properly and all connectors are plugged in.
80. Reinstall all removed parts.
81. Reconnect the negative cable to the battery.
82. Press and hold the radio power button for two seconds to restore the radio and navi (if equipped) system functions.
83. Reset the clock.

**Give a copy of this page to your customer**

Whenever you remove the hitch pin clip, the hitch pin, and the ball mount, store them securely in the cargo area. Install the receiver cover into the opening at the end of the trailer hitch. When you reinstall the ball mount, store the receiver cover in the cargo area.



Install the ball mount the trailer hitch using a hitch pin clip and hitch pin.



After the first 600 miles (1,000 km) of towing, have your Honda Dealer re-check the tightness of the trailer hitch bolts.