

**HONDA**  
**INSTALLATION**  
**INSTRUCTIONS**

Accessory  
**BACKUP SENSORS**

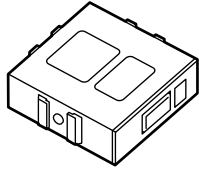
Application  
**2013 CROSSTOUR**

Publications No.  
**All 13167**  
 Issue Date  
**NOV 2012**

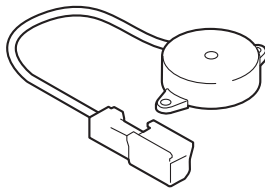
**PARTS LIST**

**Backup Sensor Attachment Kit**  
**P/N 08V67-TP6-100B**

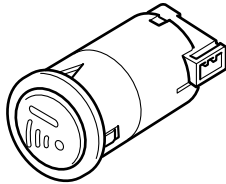
Control unit



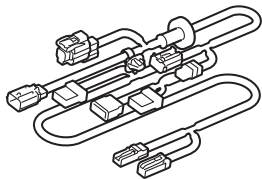
Buzzer



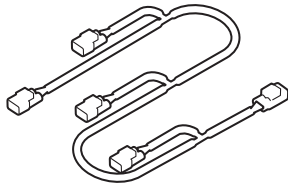
Switch



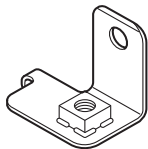
Main harness



Subharness



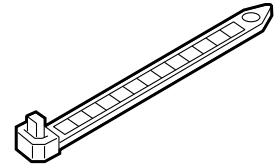
Control unit bracket



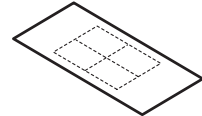
6 Aluminum tapes



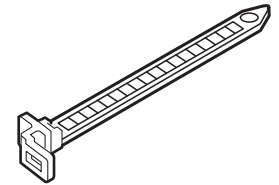
12 Wire ties



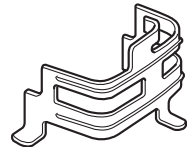
Fuse label



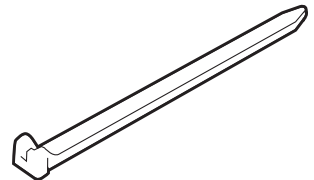
2 Wire ties with clip



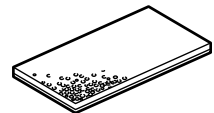
Switch bracket



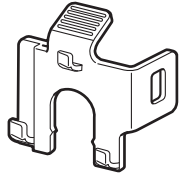
Small wire tie



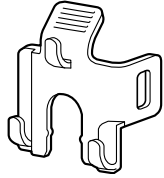
Urethane tape



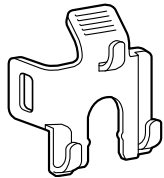
2 Sensor clips (black)



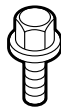
Left center clip (gray)



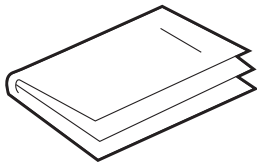
Right center clip (yellow)



Washer bolt



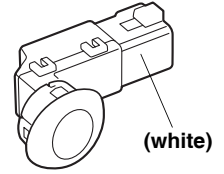
Accessory User's Information Manual



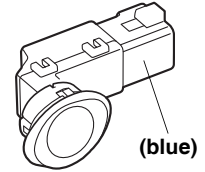
### Backup Sensor Kit

NOTE: Refer to Parts Information Bulletin (PIB) for the proper color sensors.

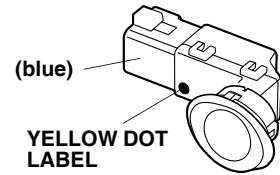
2 Corner sensors



Left center sensor



Right center sensor



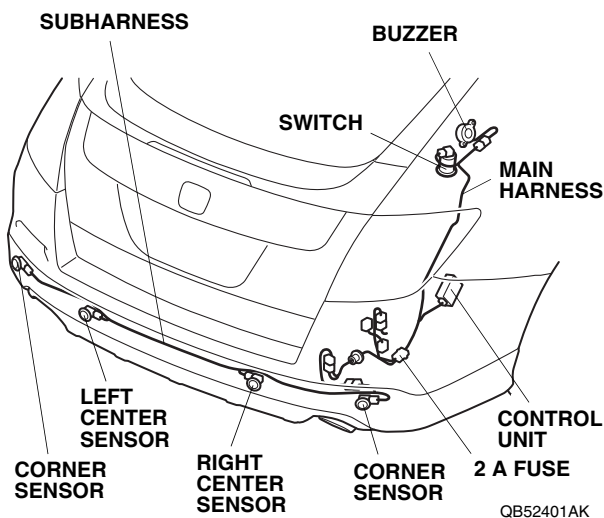
## TOOLS AND SUPPLIES REQUIRED

Phillips screwdriver  
Flat-tip screwdriver  
Ratchet  
10 mm Socket  
Isopropyl alcohol  
Shop towel  
Pushpin  
Drill  
3 mm Drill bit  
24 mm and 26 mm Hole saws  
Ruler  
Diagonal cutters  
Blanket  
Eye protection (face shield, safety goggles, etc.)  
10 mm Combination wrench  
File  
Scissors

*The following tools are available through the Honda Tool and Equipment Program. On the iN, click on: Service > Service Bay > Tool and Equipment Program, then enter the number under "Search". Or, call 888-424-6857.*

- Trim Tool Set (T/N SOJATP2014)
- Plastic Trim Tool (T/N SILTRIMTL10)

### **Illustration of the Backup Sensors on the Vehicle**



## INSTALLATION

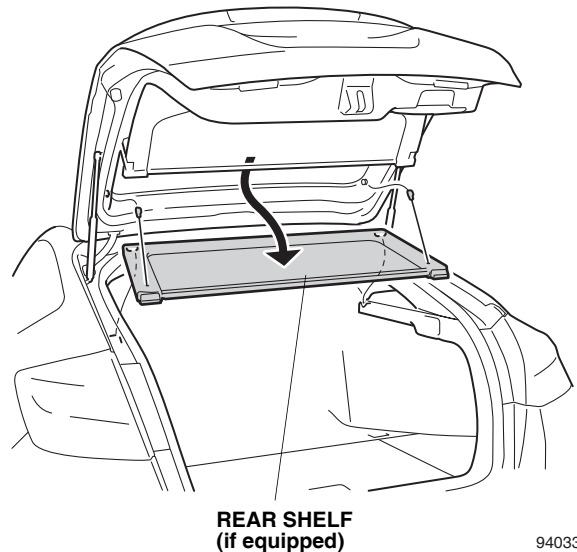
**Customer Information:** The information in this installation instruction is intended for use only by skilled technicians who have the proper tools, equipment, and training to correctly and safely add equipment to your vehicle. These procedures should not be attempted by "do-it-yourselfers."

**NOTE:** Install the backup sensor first when both the backup sensor and the trailer hitch are to be mounted on the vehicle.

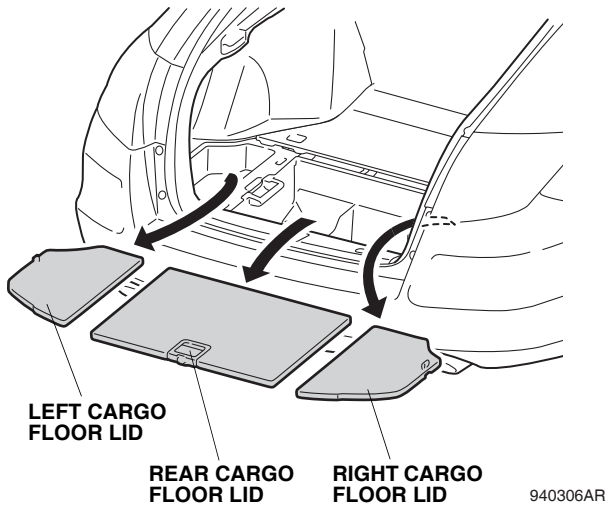
1. Make sure you have the anti-theft codes for the audio and navigation system (if equipped), then write down the radio station presets.
2. Disconnect the negative cable from the battery.

### **Removing the Vehicle Parts**

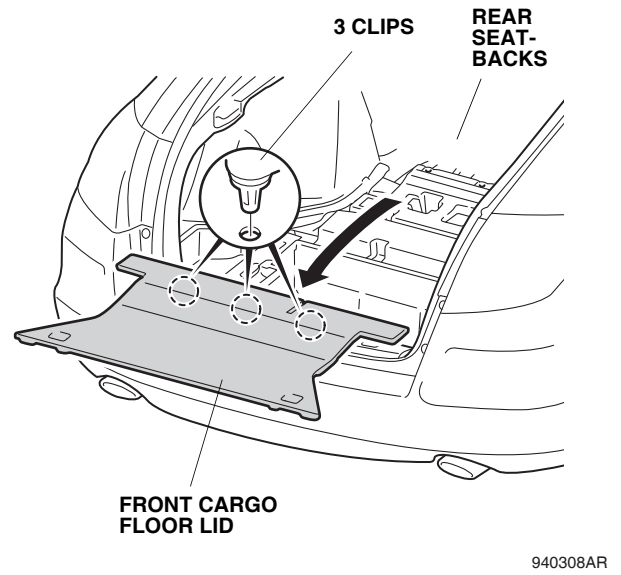
3. If equipped, remove the rear shelf.



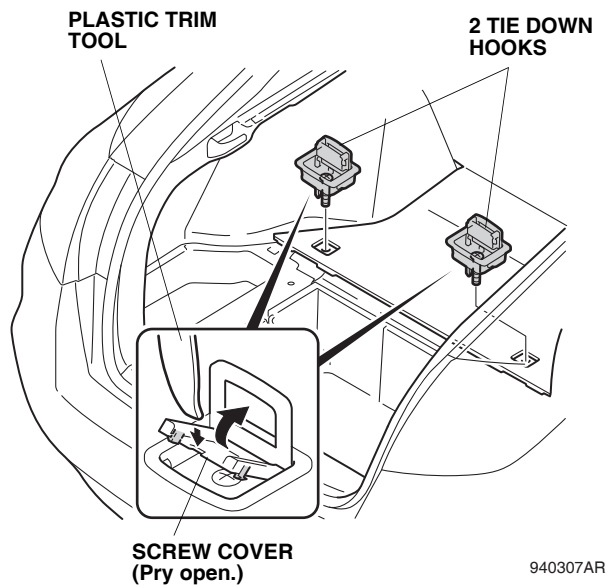
4. Remove the rear cargo floor lid, left cargo floor lid, and right cargo floor lid.



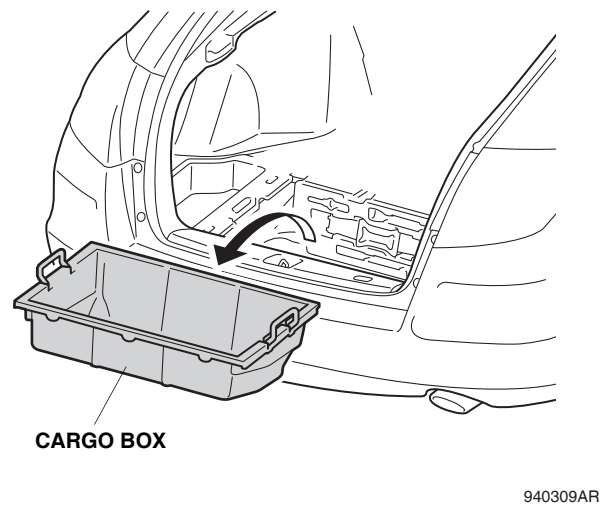
6. Fold down the rear seat-backs. Remove the front cargo floor lid (three clips).



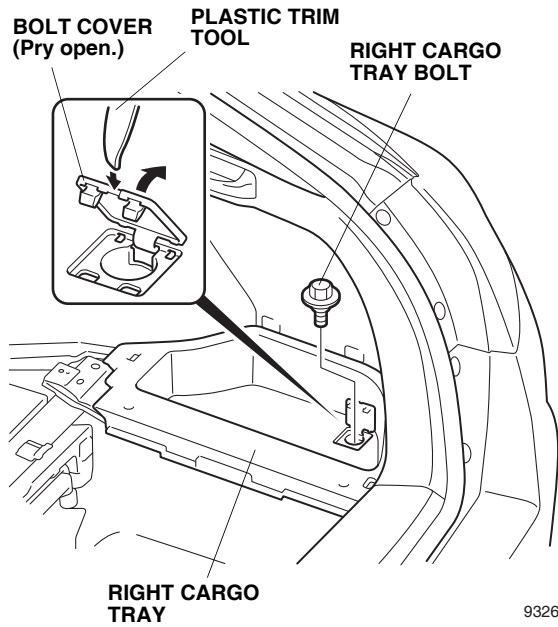
5. Using a plastic trim tool, pry open the screw cover. Remove the tie down hook (one screw). Remove the other tie down hook the same way.



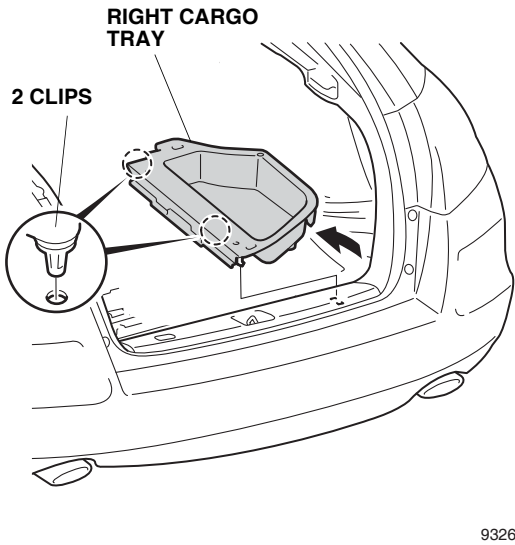
7. Remove the cargo box.



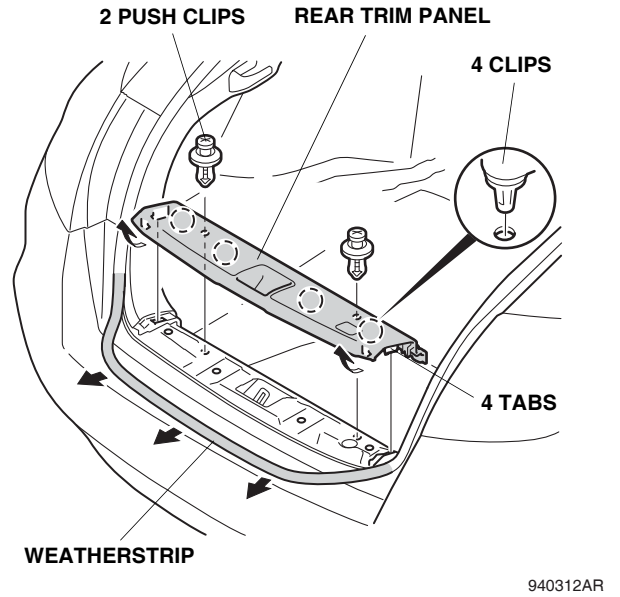
- Pry open the bolt cover, and remove the right cargo tray bolt.



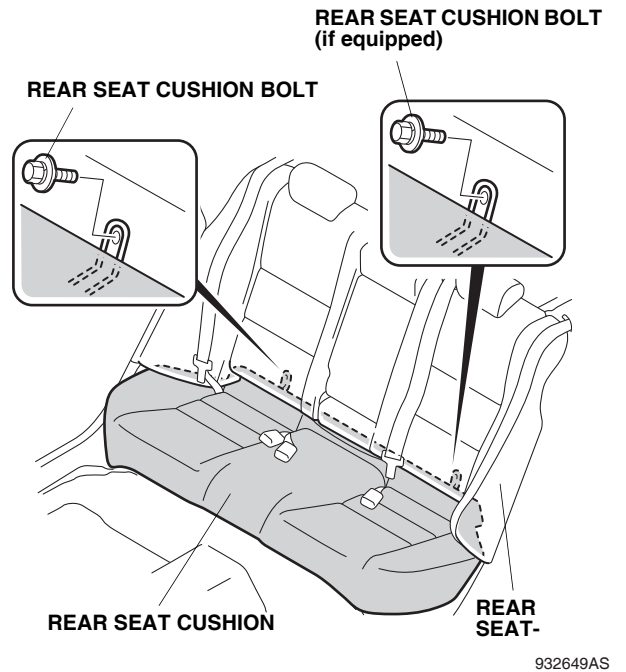
- Remove the right cargo tray (two clips).



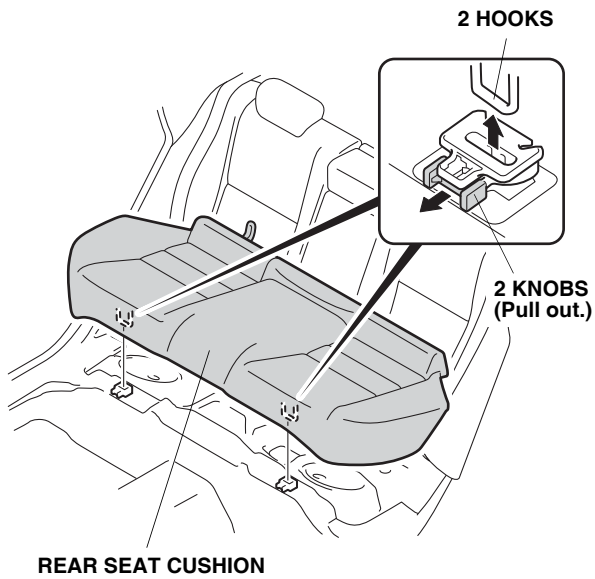
- Pull away the weatherstrip in the area shown. Remove the rear trim panel (two push clips, four clips, and four tabs).



- Fold up the rear seat-backs. Remove the rear seat cushion bolt(s).

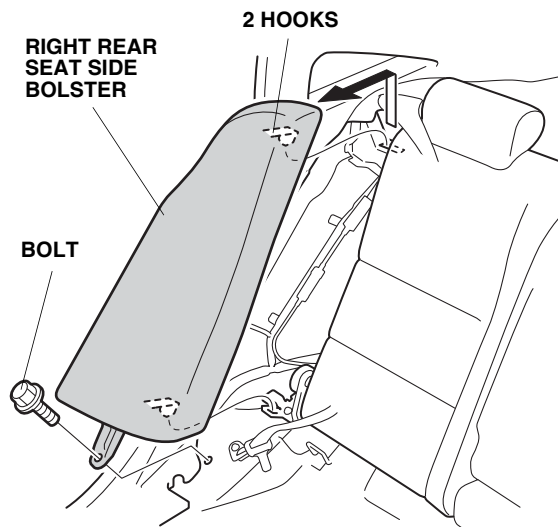


12. Pull out on the two knobs to release the two hooks, and remove the rear seat cushion.



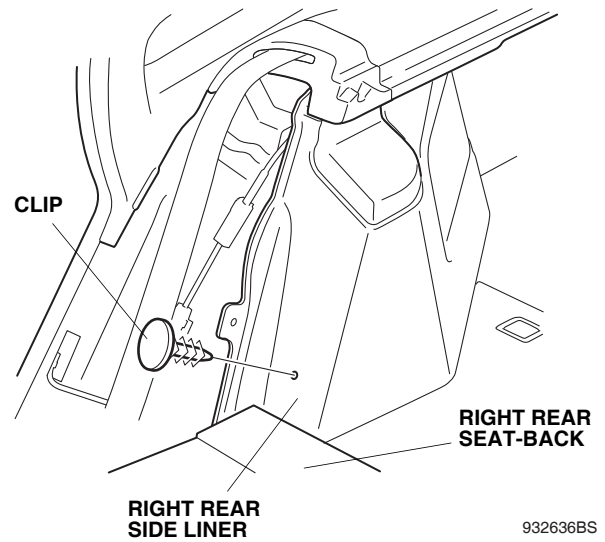
QB90602AH

13. Remove the right rear seat side bolster (one bolt and two hooks).



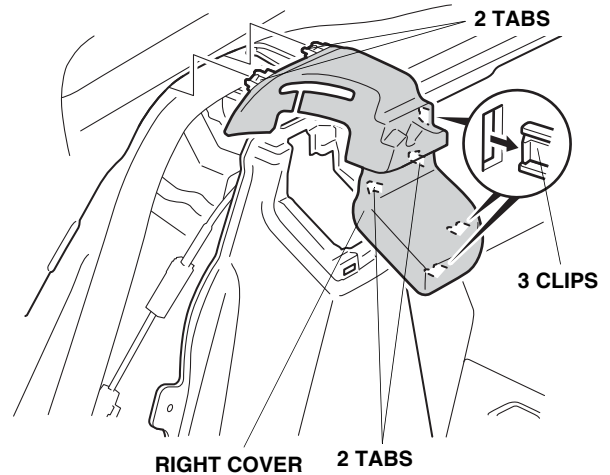
932635BS

14. Fold down the right rear seat-back. Remove the clip from the right rear side liner.



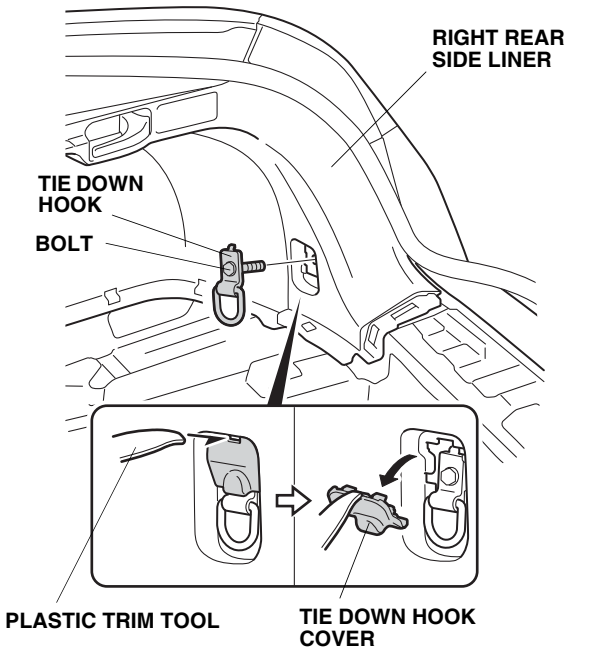
932636BS

15. Remove the right cover (three clips and four tabs).



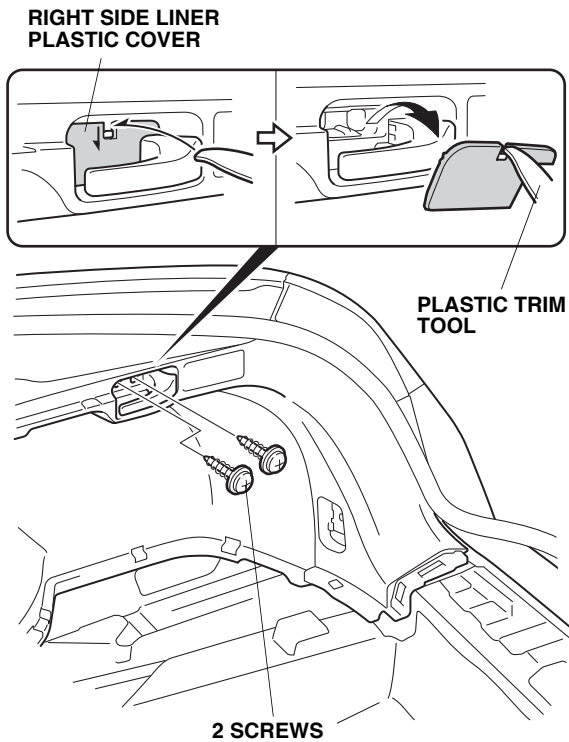
932637AS

16. Using a plastic trim tool, remove the tie down hook cover. Remove the tie down hook (one bolt).



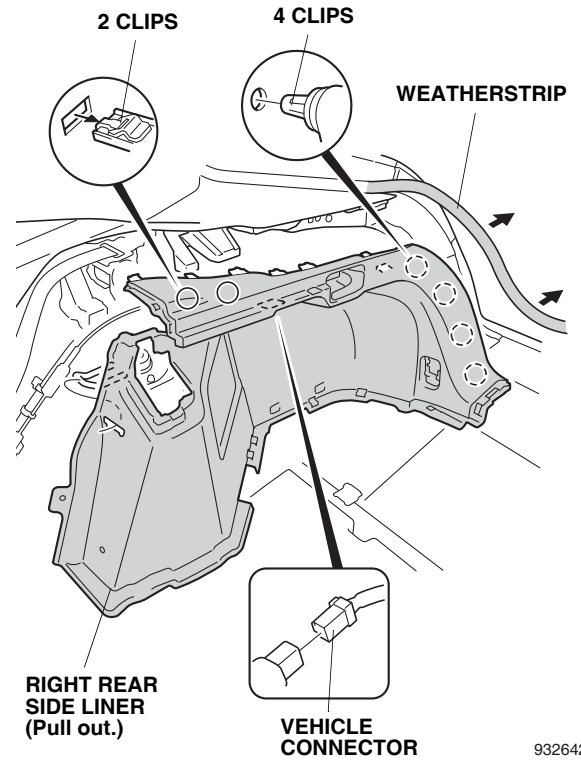
932640BS

17. Using a plastic trim tool, remove the right side liner plastic cover. Remove the two screws under the cover.



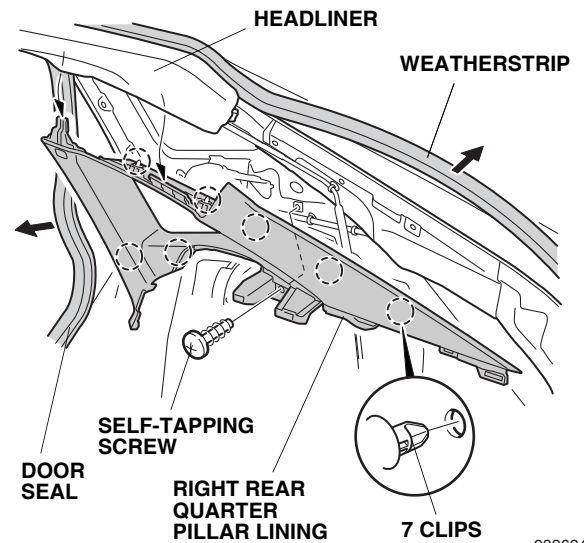
932641BS

18. Pull away the weatherstrip around the right rear side liner. Remove the six clips and unplug the vehicle connector, then pull the right rear side liner out of the way.



932642AS

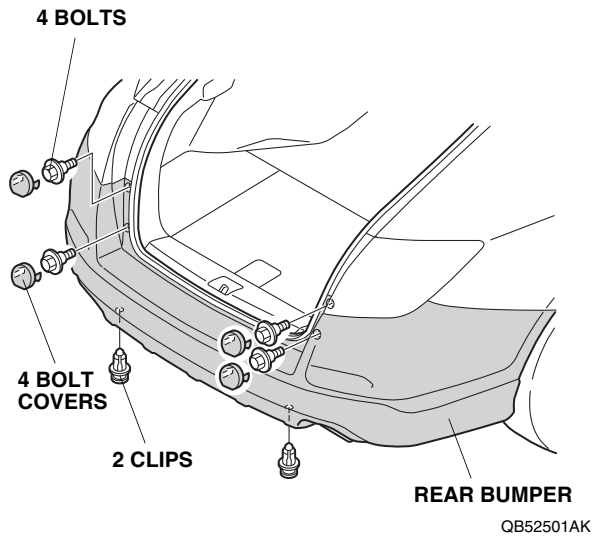
19. Pull away the weatherstrip and door seal from around the right rear quarter pillar lining. Remove the right rear quarter pillar lining (one self-tapping screw and seven clips). Be careful not to crease the headliner.



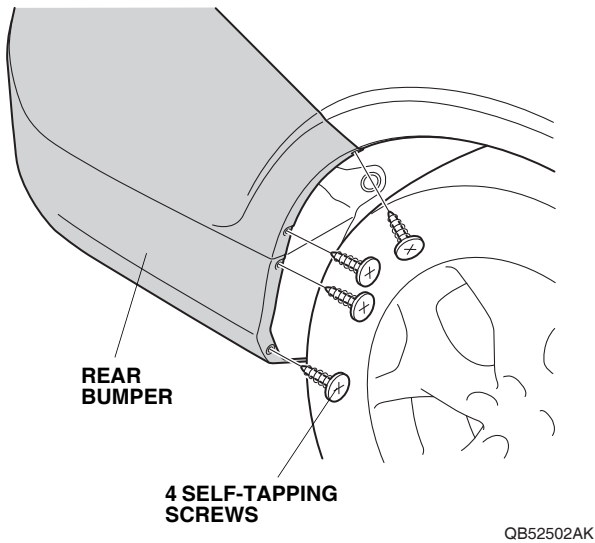
932634AS

20. Remove the rear bumper:

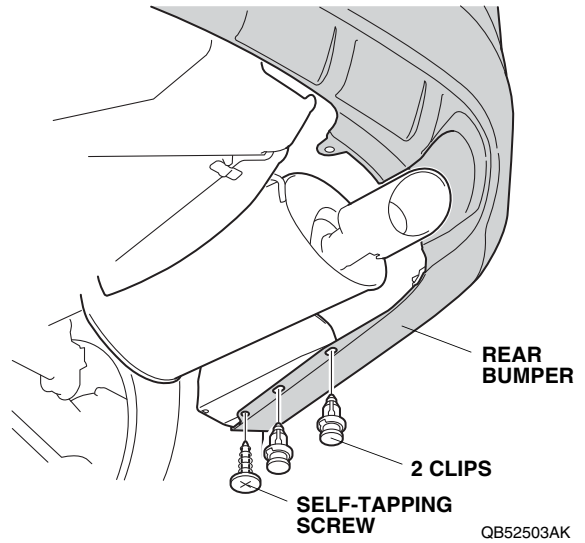
- Remove the four bolt covers, four bolts, and two clips.



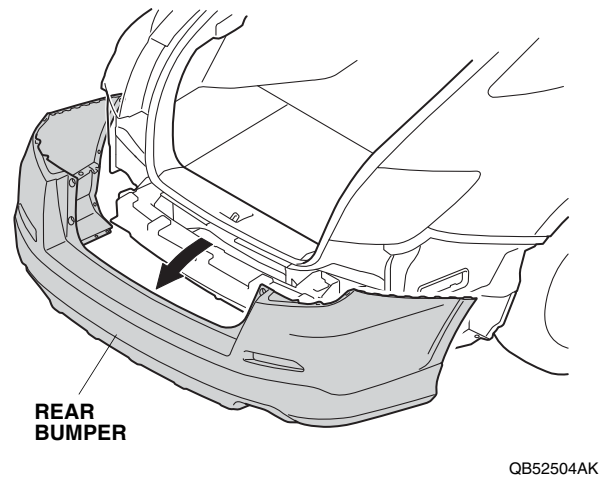
- On each side, remove the four self-tapping screws at the fenderwell.



- Under the rear bumper, remove the two clips and one self-tapping screw on each side.



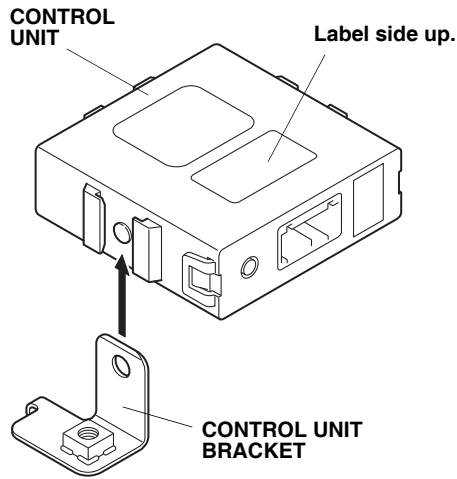
- With the help of an assistant, remove the rear bumper. Place the rear bumper on a blanket to prevent damage.





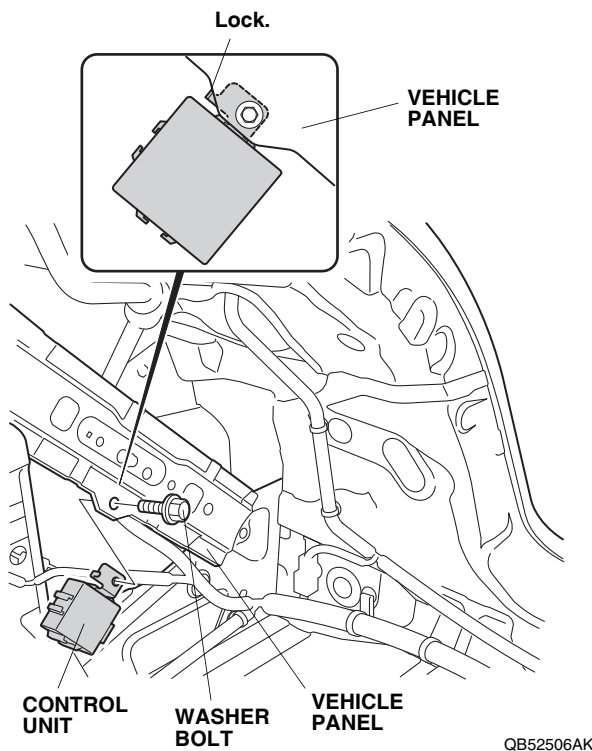
## Installing the Control Unit

21. Install the control unit bracket to the control unit.



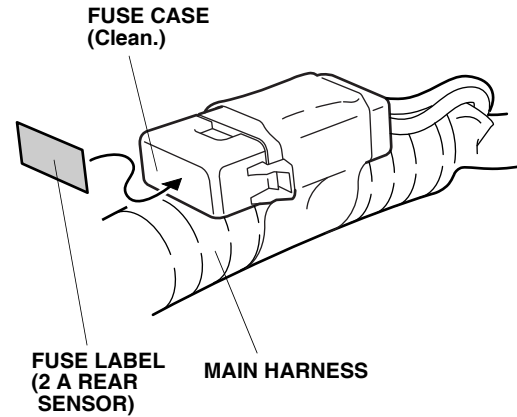
QB52505AK

22. Install the control unit to the vehicle panel with washer bolt.



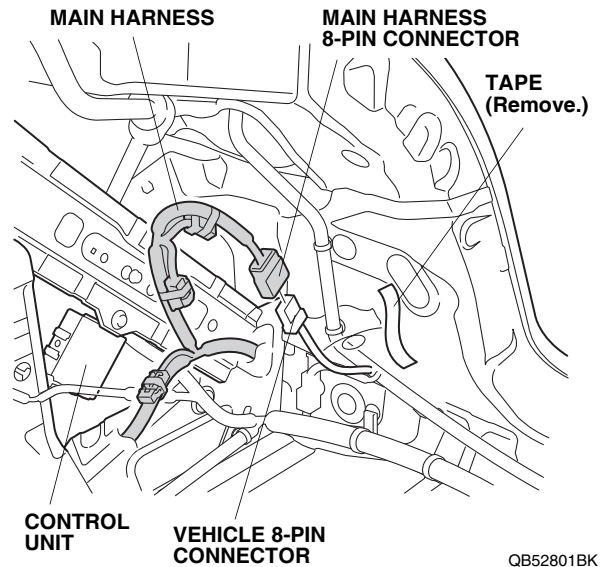
QB52506AK

23. Using isopropyl alcohol on a shop towel, clean the area where the fuse label will attach. Attach the fuse label to the fuse case on the main harness.



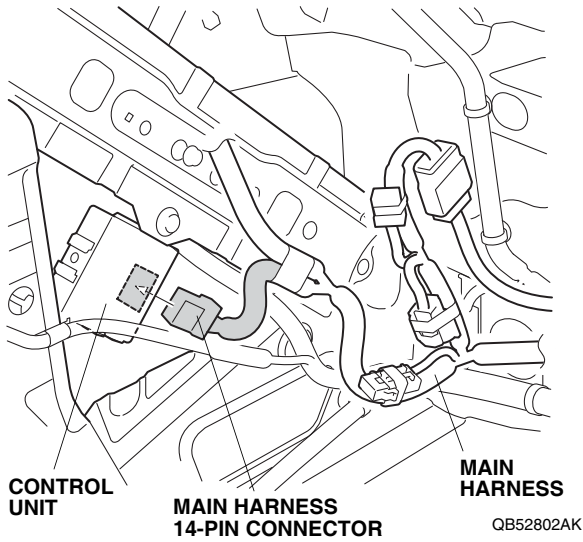
6216030B

24. Plug the main harness 8-pin connector to the vehicle 8-pin connector.

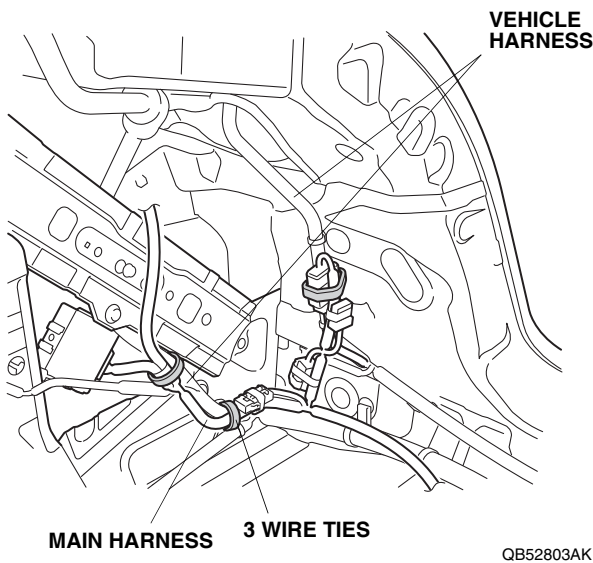


QB52801BK

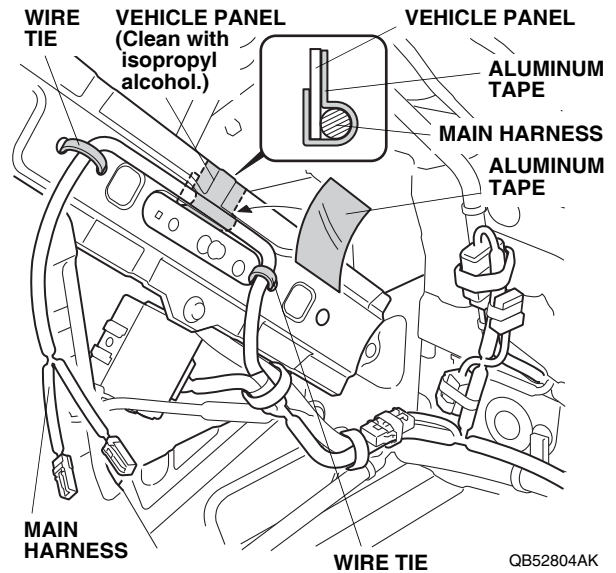
25. Plug the main harness 14-pin connector into the control unit as shown.



26. Using three wire ties, secure the main harness to the vehicle harness.

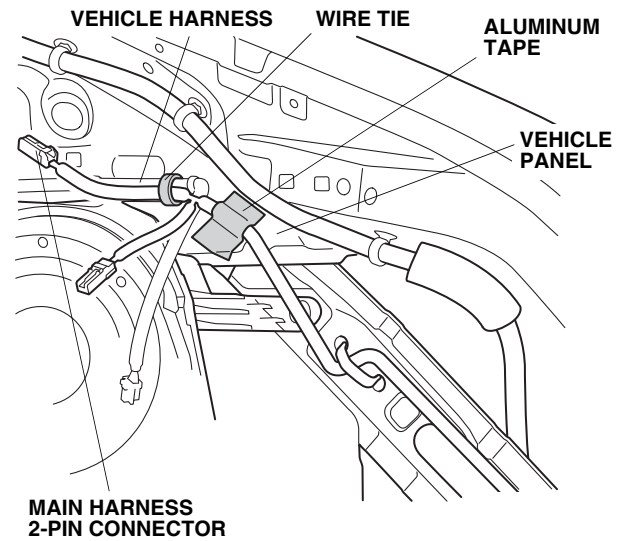


27. Using two wire ties, secure the main harness to the holes of the vehicle panel.



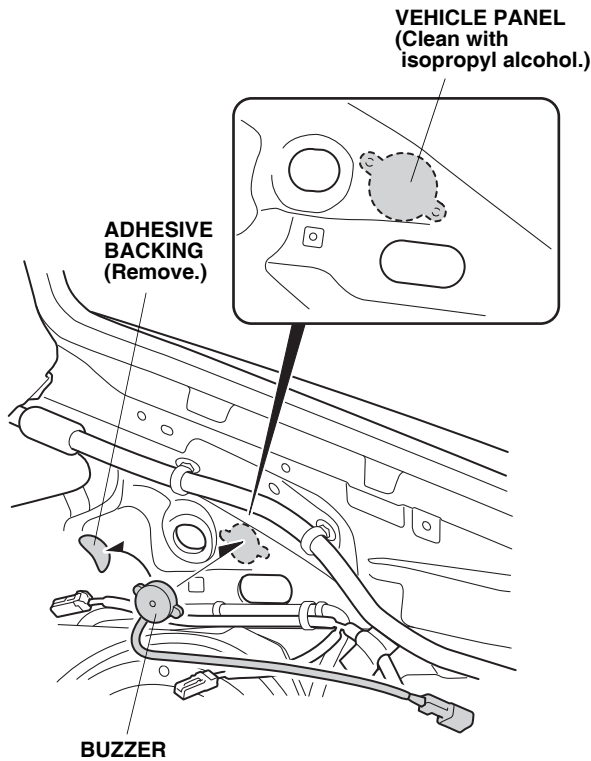
28. Using isopropyl alcohol on a shop towel, clean the area where the aluminum tape will attach. Using one aluminum tape, secure the main harness to the vehicle panel.

29. Using isopropyl alcohol on a shop towel, clean the area where the aluminum tape will attach. Using one aluminum tape, secure the main harness to the vehicle panel.



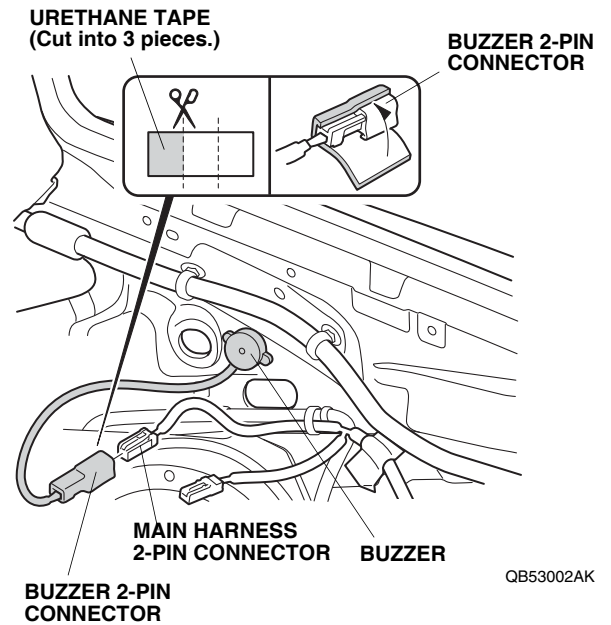
30. Using one wire tie, secure the main harness to the vehicle harness.

- Using isopropyl alcohol on a shop towel, clean the area where the buzzer will attach. Attach the buzzer to the vehicle panel in the area shown.



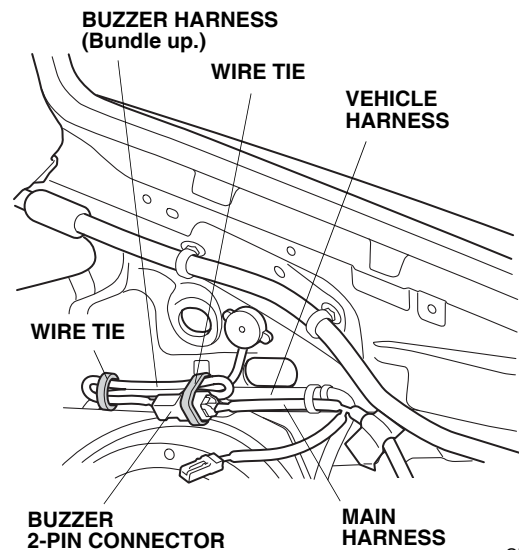
QB53001AK

- Using scissors, cut one urethane tape as shown. Wrap the cut piece of urethane tape to the buzzer 2-pin connector.



QB53002AK

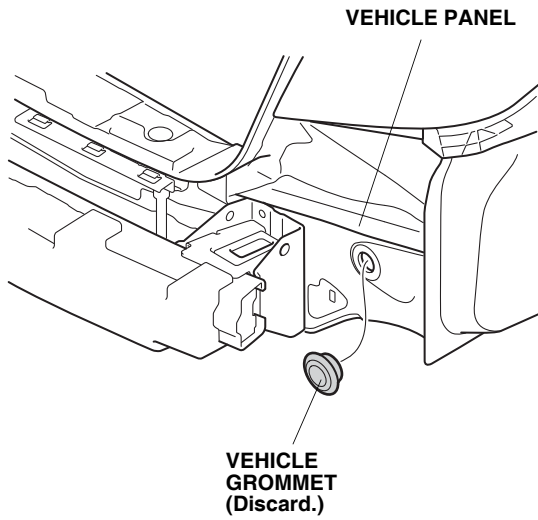
- Plug the buzzer 2-pin connector into the main harness 2-pin connector.
- Bundle up the excess buzzer harness and secure the buzzer harness and 2-pin connectors to the vehicle harness with one wire tie.



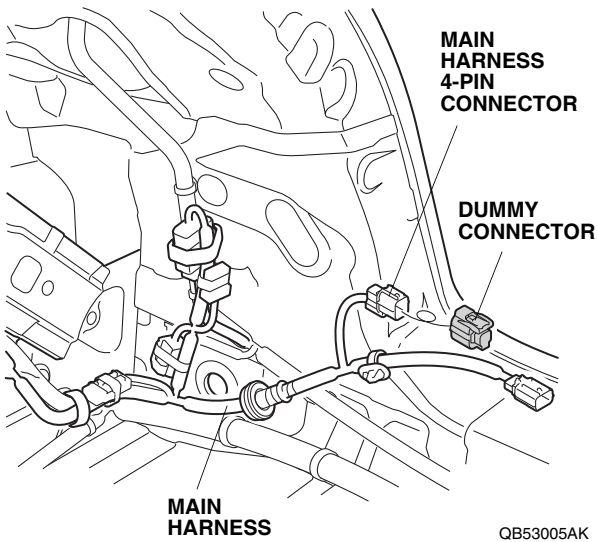
QB53003AK

- Secure the buzzer harness to the vehicle harness with one wire tie.

36. Outside the vehicle, remove and discard the vehicle grommet.



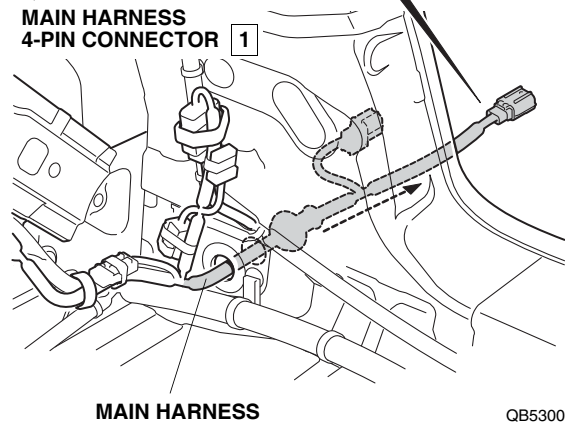
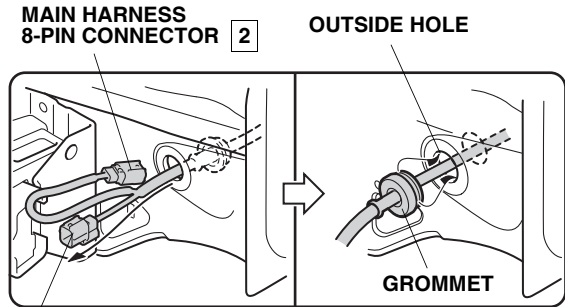
37. Remove the dummy connector from the main harness 4-pin connector.



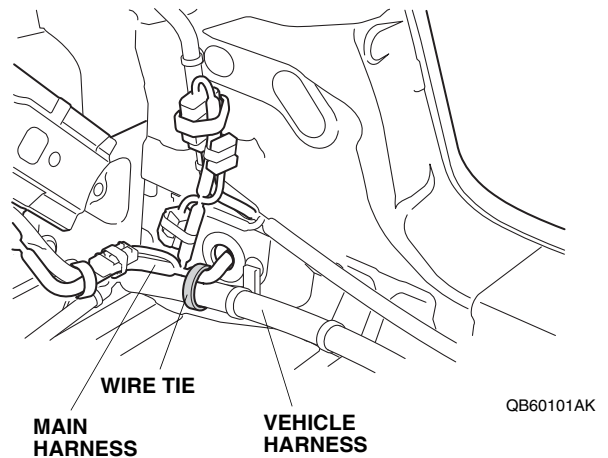
38. Route the main harness through the hole in the order shown. Set the main harness grommet into the vehicle panel.

NOTE:

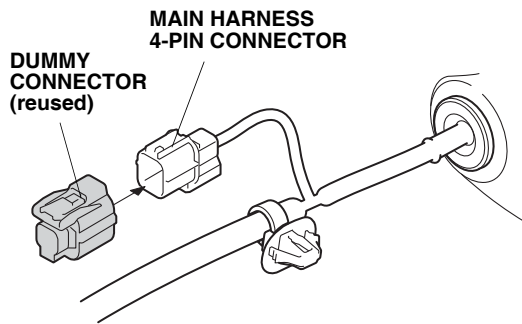
- Install the main harness by holding the grommet.
- Make sure to check that the grommet is secured properly.



39. Secure the main harness to the vehicle harness with one wire tie.

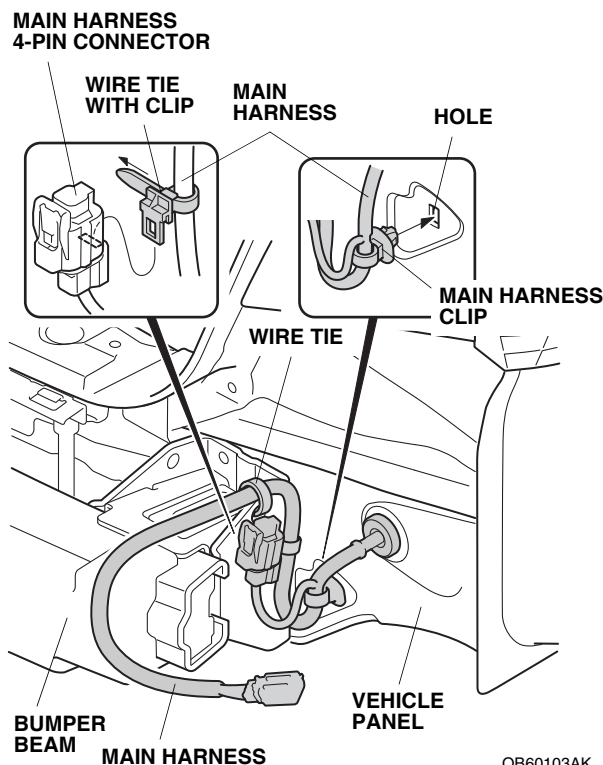


- Reinstall the dummy connector to the main harness 4-pin connector.



QB60102AK

- Outside the vehicle, attach the main harness clip into the hole in the vehicle panel.

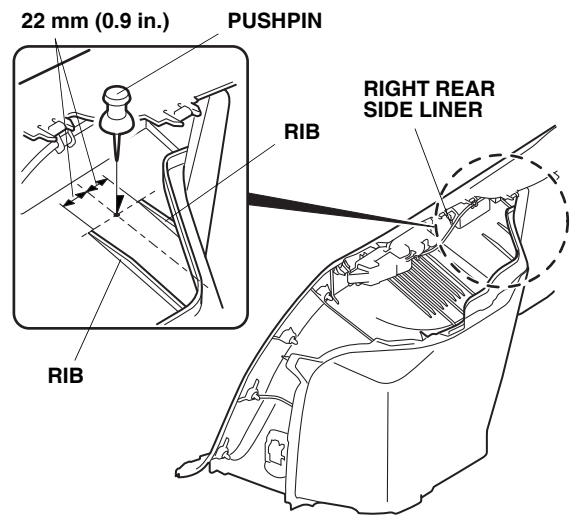


QB60103AK

- Secure the main harness 4-pin connector to the main harness with one wire tie with clip.
- Secure the main harness to the hole of the bumper beam with one wire tie.

## Installing the Switch

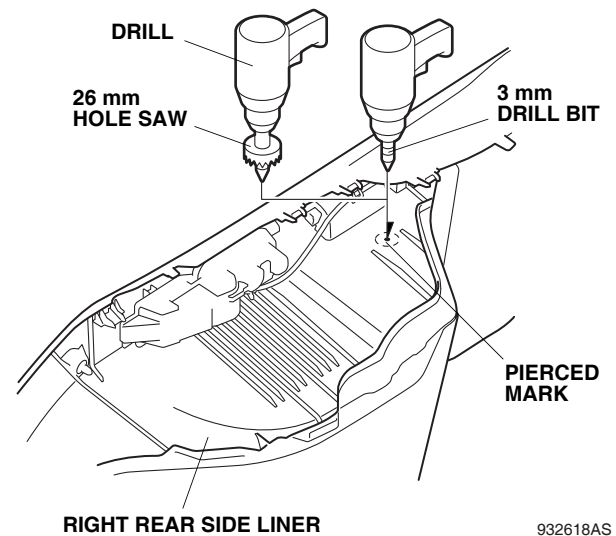
- Locate and mark the right rear side liner at the location shown. Using a pushpin, pierce the right rear side liner at the measurement shown.



932617BS

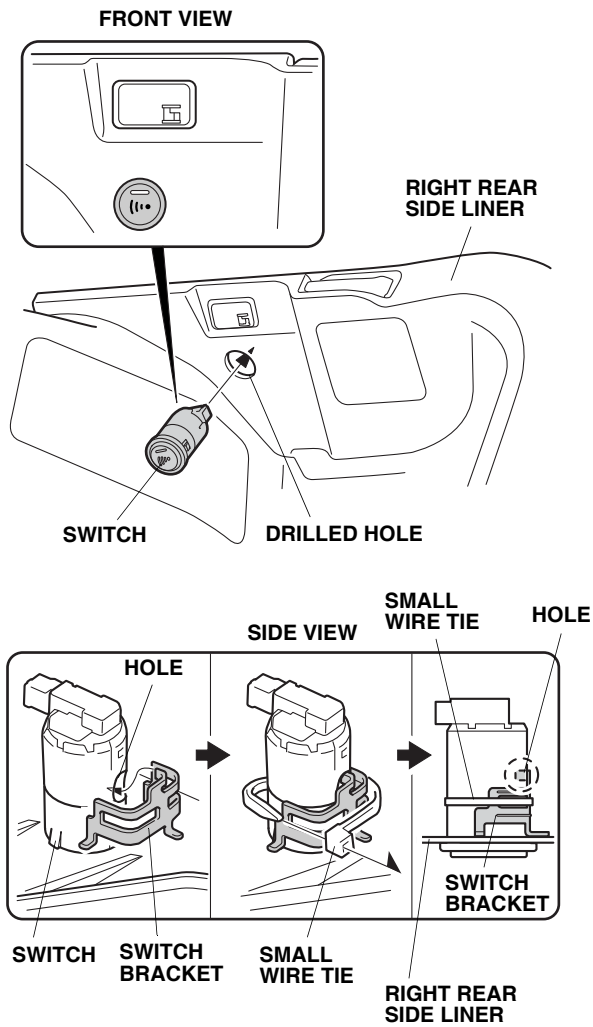
- While wearing eye protection, drill the right rear side liner at the pierced mark. First drill with a 3 mm drill bit, and finish with a 26 mm hole saw. Remove any burrs.

**NOTE:** The switch cannot be installed properly because of clearance between the switch and the right rear side liner if the burrs are not removed thoroughly.



932618AS

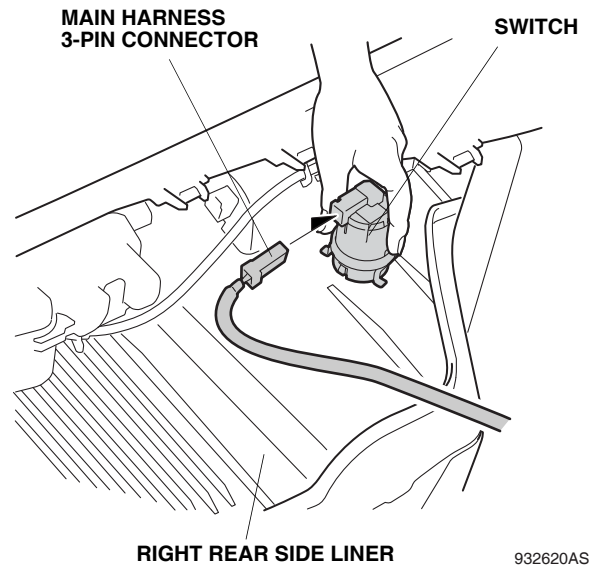
46. Insert the switch into the drilled hole, and install the switch bracket to the switch in the direction shown.



932619AS

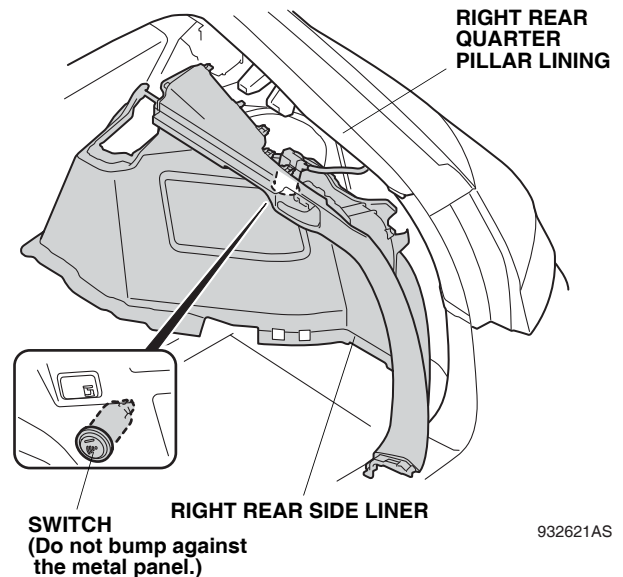
47. Using one small wire tie, secure the switch bracket to the switch.
- NOTE:** Push the switch bracket against the right rear side liner, and secure them by one small wire tie. Otherwise, the switch cannot be installed properly because it may cause clearance between the switch and the right rear side liner.

48. Plug the main harness 3-pin connector into the switch.



932620AS

49. Reinstall the right rear quarter pillar lining, before reinstalling the right rear side liner. Be careful not to bump the switch during installation.



932621AS

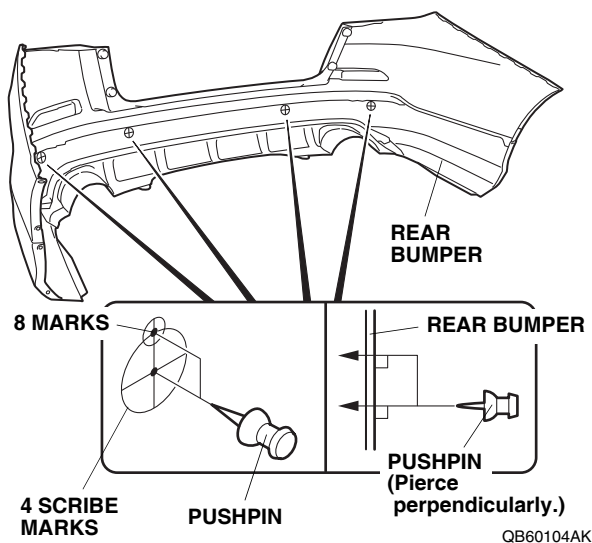
## Installing the Sensors

50. Mark the inside of the rear bumper:

- Locate the four scribe marks on the inside of the bumper at the center and on each side.
- Using a pushpin, pierce the rear bumper at the top and center of the four marks.

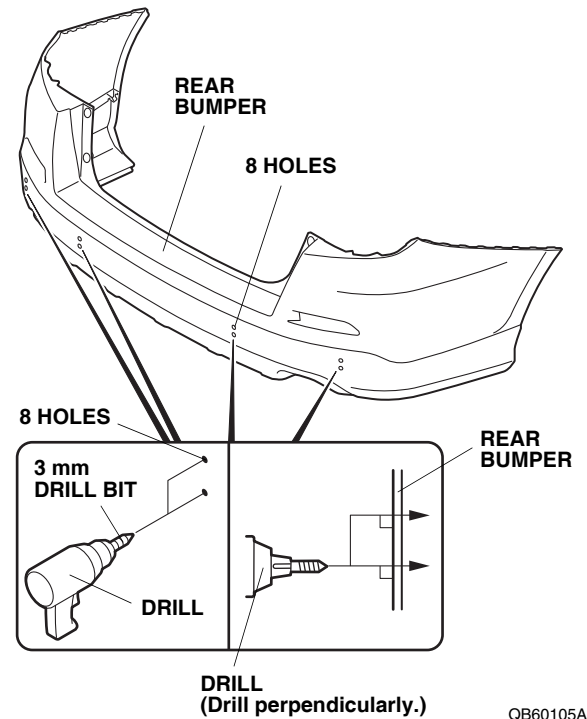
### NOTE:

- There are several markings on the inside of the rear bumper. Before piercing the rear bumper, verify you have the correct locations.
- Make sure to pierce the scribe marks perpendicularly to the rear bumper.

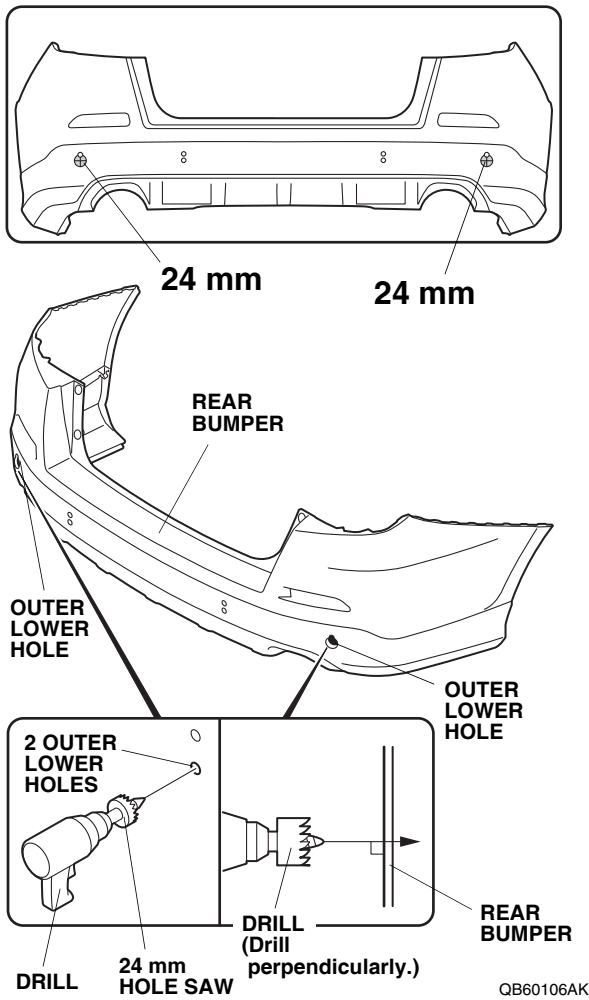


51. While wearing eye protection, drill the eight pierced marks with a 3 mm drill bit from the outside of the rear bumper.

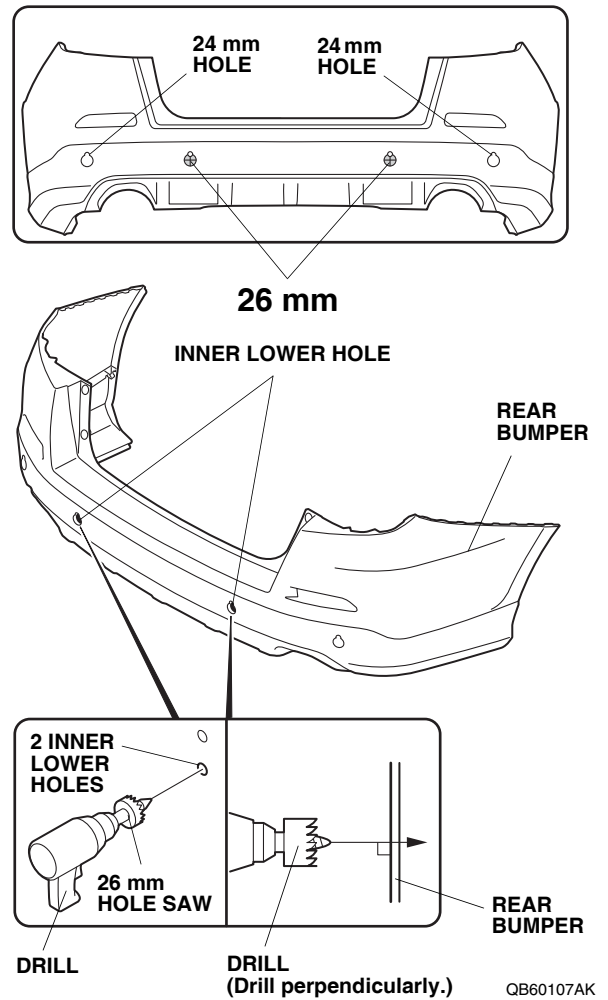
NOTE: Make sure to drill perpendicularly to the rear bumper.



52. While wearing eye protection and drilling from outside of the rear bumper, enlarge the two lower 3 mm outer holes to 24 mm using a 24 mm hole saw. NOTE: Make sure to drill perpendicularly to the rear bumper. Remove any burrs.

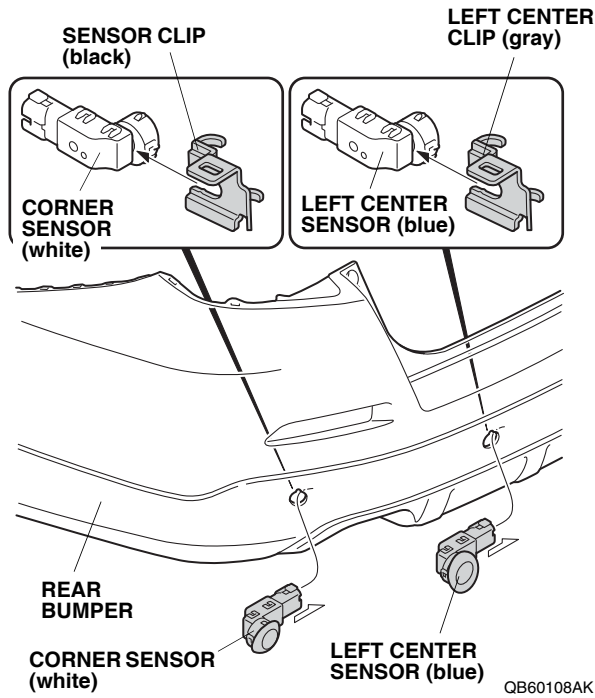


53. While wearing eye protection and drilling from outside of the rear bumper, enlarge the two lower 3 mm inner holes to 26 mm using a 26 mm hole saw. NOTE: Make sure to drill perpendicularly to the rear bumper. Remove any burrs.



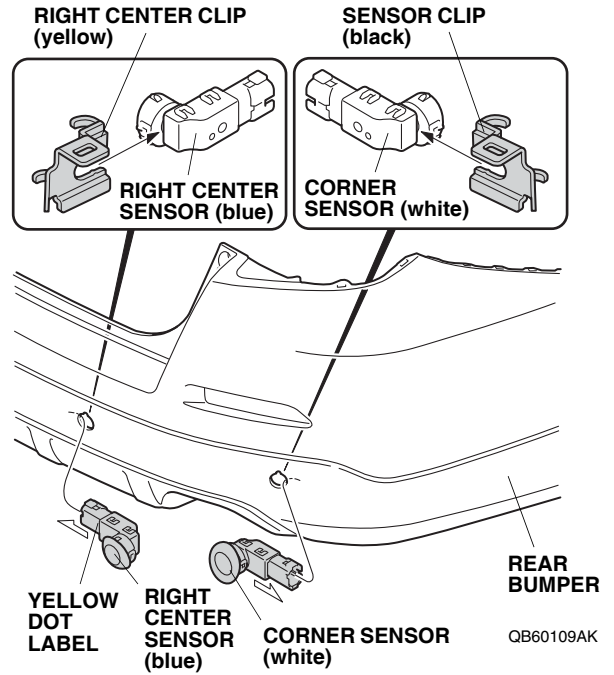


54. Insert the corner sensor (white) and left center sensor (blue) to the rear bumper.

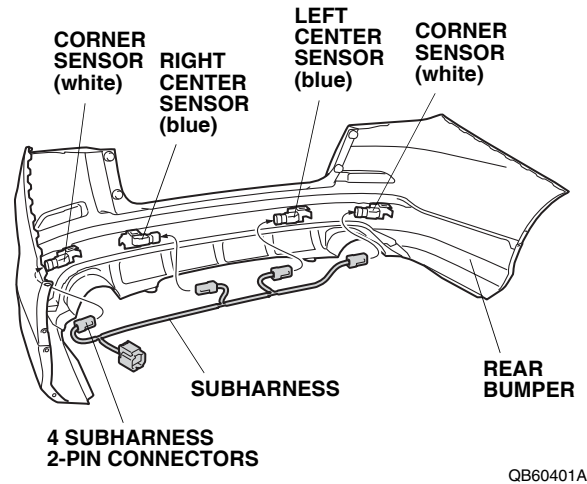


55. Secure the corner sensor (white) and left center sensor (blue) with sensor clip (black) and left center clip (gray) as shown.

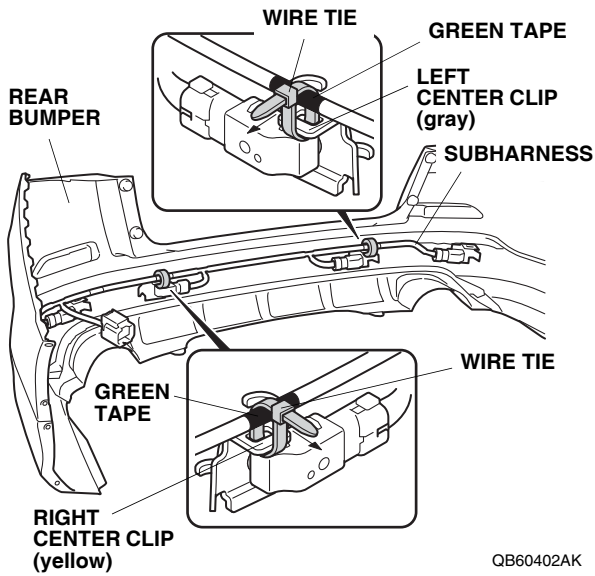
56. Insert the corner sensor (white) and right center sensor (blue) to the rear bumper.  
NOTE: The right center sensor (blue) has the yellow dot label.



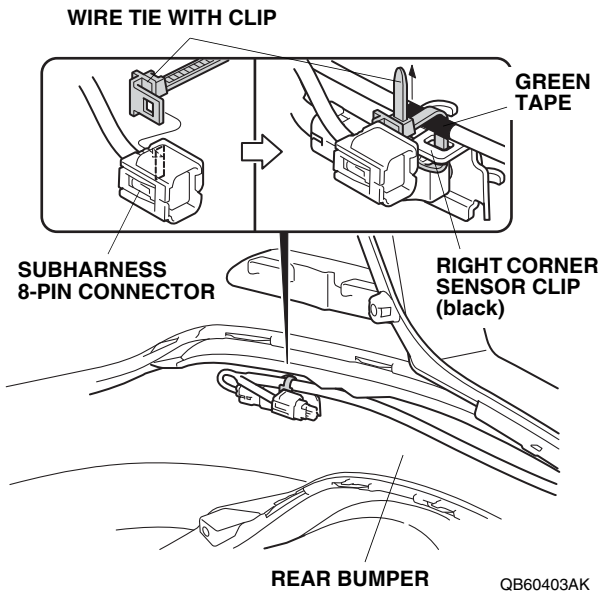
57. Secure the corner sensor (white) and right center sensor (blue) with sensor clip (black) and right center clip (yellow) as shown.
58. Plug four subharness 2-pin connectors into the right center sensor (blue), left center sensor (blue), and two corner sensors (white).



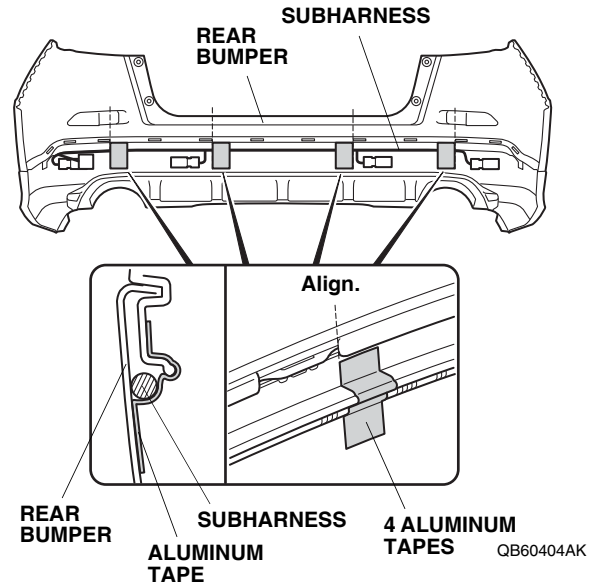
59. Secure the subharness into two center clips at two green tapes with the two wire ties.



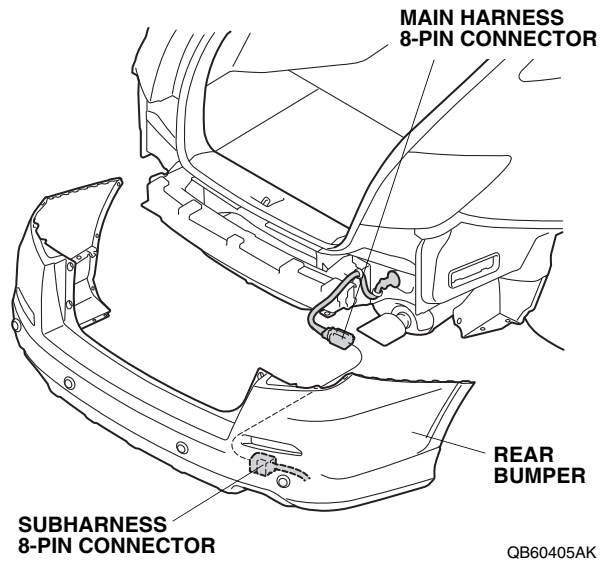
60. Secure the subharness 8-pin connector into the right corner sensor clip at green tape with one wire tie with clip.



61. Using isopropyl alcohol on a shop towel, clean the areas where the aluminum tapes will attach. Secure the subharness to the rear bumper with four aluminum tapes.



62. With the help of an assistant, bring the rear bumper to the vehicle, and plug the main harness 8-pin connector into the subharness 8-pin connector. Reinstall the rear bumper.

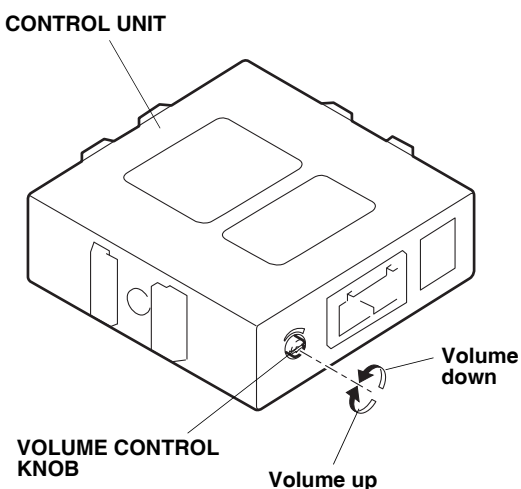


63. Check that all wire harnesses are routed properly and all connectors are plugged in.
64. Reinstall all removed parts.
65. Reconnect the negative cable to the battery.
66. Enter the anti-theft codes for the radio and navigation systems, then enter the customer's radio presets.
67. Reset the clock.
68. Check that the backup sensors work properly as described in the Accessory User's Information Manual supplied with the backup sensor attachment kit.

### **BUZZER VOLUME CONTROL**

Original setting of the volume control knob on the control unit is turned maximum volume. After confirming the operation check, turn the volume control knob to the appropriate volume.

**NOTE:** Make sure not to excessively turn to adjust or it may damage the control unit.



932647AS