



# INSTALLATION INSTRUCTIONS

Accessory  
**SECOND ROW SEAT COVERS**  
P/N 08P32-TK8-100

Application  
**2011 ODYSSEY**

Publications No.  
**All 43900**  
Issue Date  
**SEP 2010**

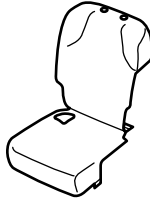
Put this information in the glove box with the vehicle owner's manual.

## PARTS LIST

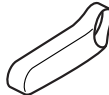
2 Second row headrest covers



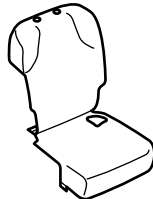
Left second row seat cover



2 Second row seat armrest covers



Right second row seat cover



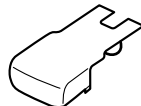
Center second row headrest cover  
(Not used on LX model)



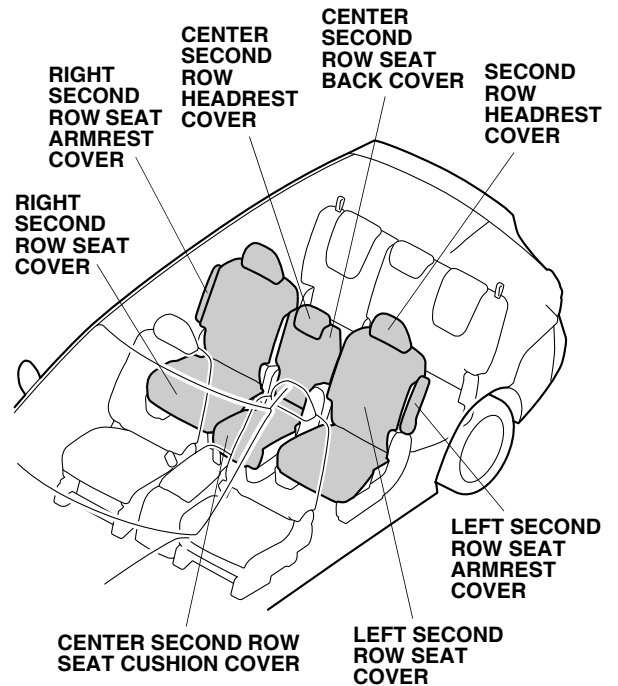
Center second row seat back cover  
(Not used on LX model)



Center second row seat cushion cover  
(Not used on LX model)



## Illustration of the Second Row Seat Covers Installed on the Vehicle



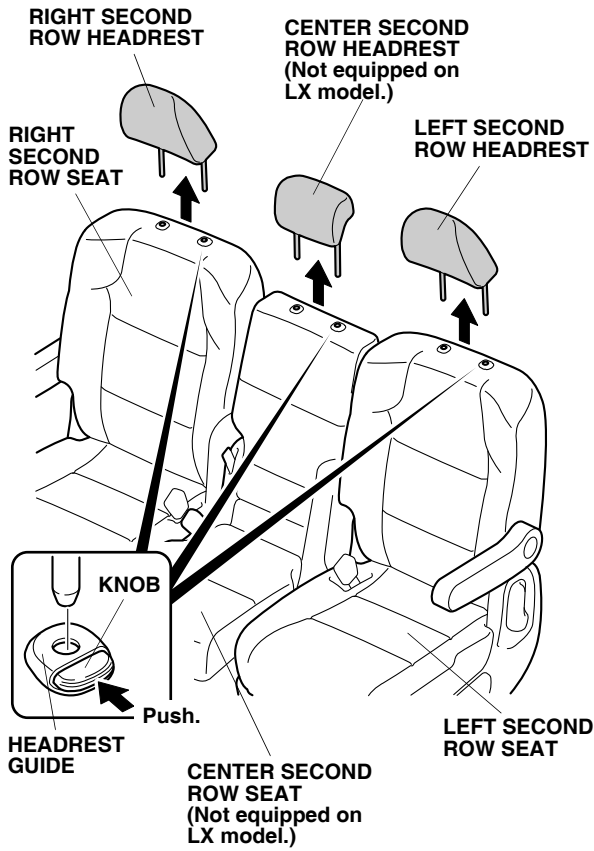
## INSTALLATION

**Customer Information:** The information in this installation instruction is intended for use only by skilled technicians who have the proper tools, equipment, and training to correctly and safely add equipment to your vehicle. These procedures should not be attempted by "do-it-yourselfers."

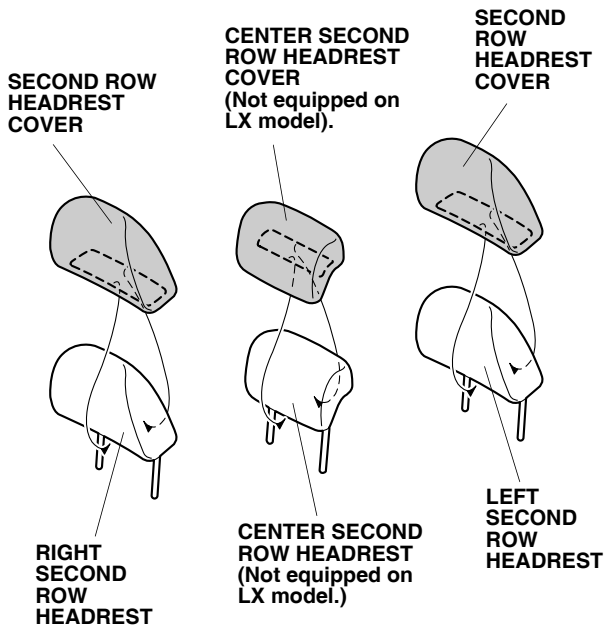
### NOTE:

- Be careful not to damage the seats while installing the rear seat covers.
- Do not install the second row seat covers to the front seats. Improperly covering the front seat can prevent your side airbags from inflating in a side impact.
- Identify each second row seat covers by the tags on the back.

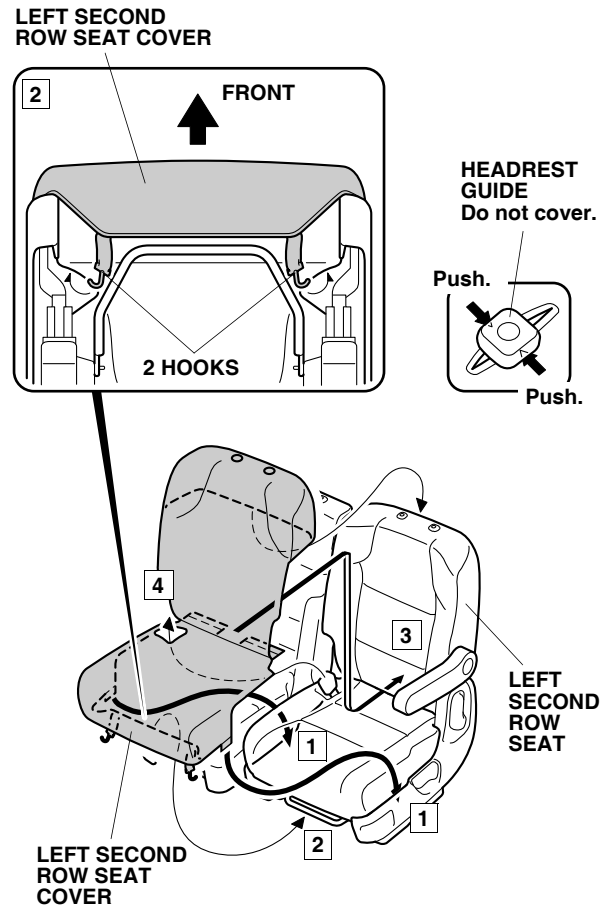
1. Push the knobs and remove each headrest from the second row seats.



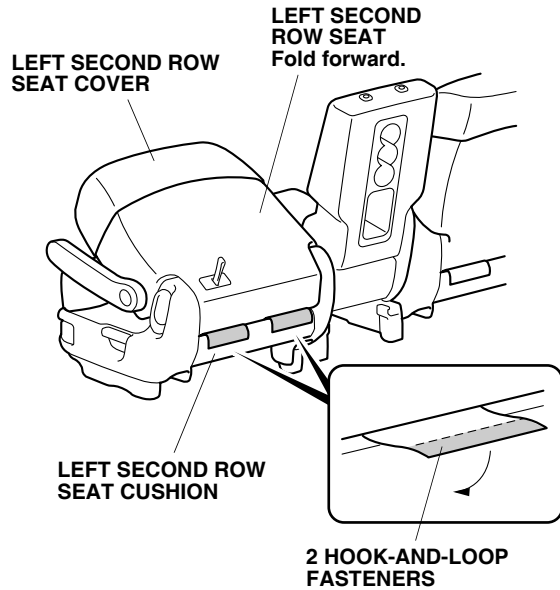
2. Install a second row headrest cover to each headrest.



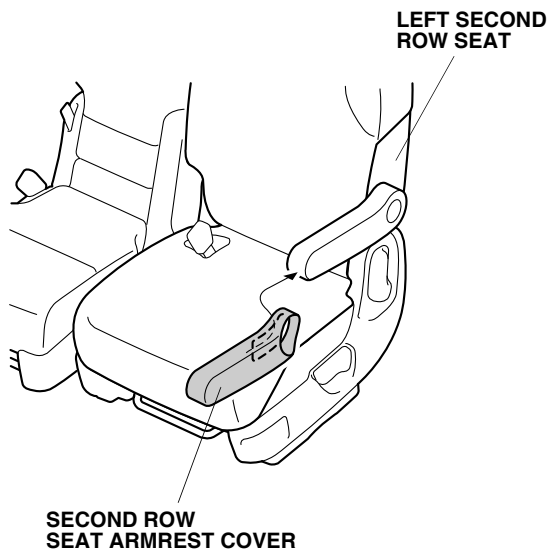
3. Install the left second row seat cover to the left second row seat in the order 1 → 2 → 3 → 4. NOTE: Make sure that the headrest guide on the left second row seat is not covered by the left second row seat cover.



4. Fold the left second row seat forward halfway.



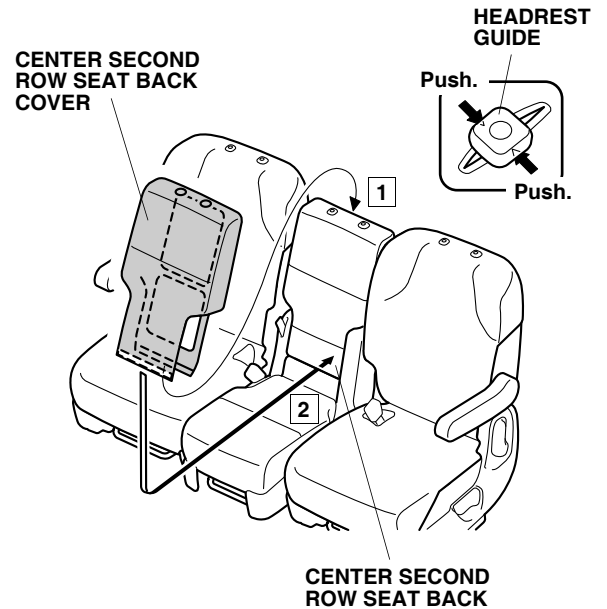
5. Secure the left second row seat cover to the left second row seat cushion with the two hook-and-loop fasteners.
6. Return the left second row seat to its standard position.



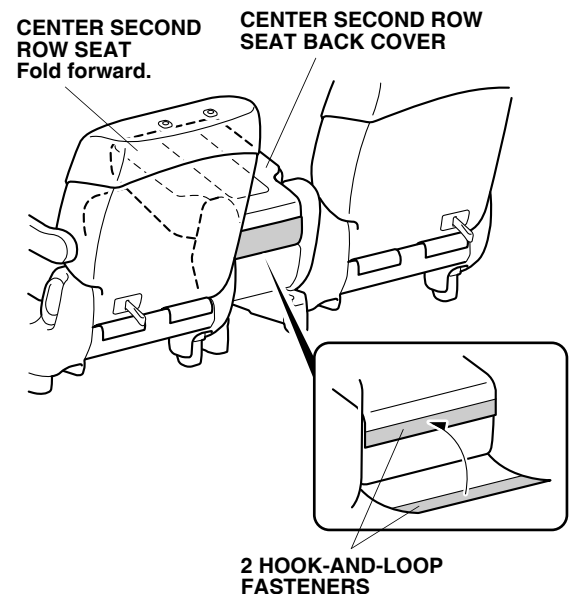
7. Install the left second row seat armrest cover to the left second row seat armrest. On LX model, install this cover to the inboard armrest.
8. Repeat steps 3 thru 7 to install the second row seat cover on the right second row seat.

If the vehicle you are working on is an LX model, go to step 15; otherwise, continue with step 9.

9. Install the center second row seat back cover to the center second row seat back in the order 1 → 2. NOTE: Make sure that headrest guide on the center second row seat back is not covered with the center second row seat back cover.



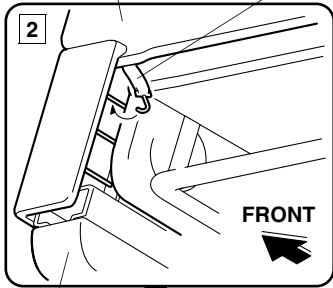
10. Fold the center second row seat forward.



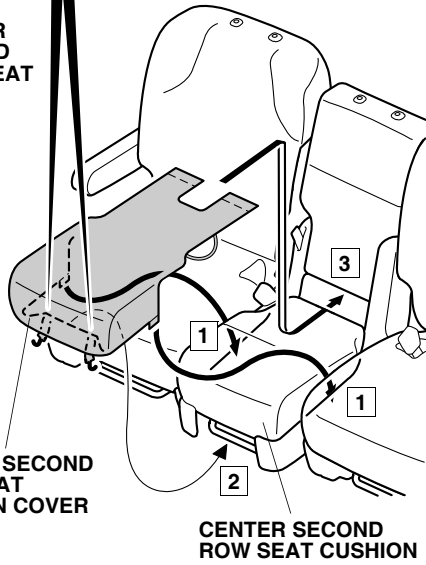
11. Secure two hook-and-loop fasteners on the center second row seat back cover as shown.

- Return the center second row seat to its standard position.

**CENTER SECOND ROW SEAT CUSHION COVER 2 HOOKS**



**CENTER SECOND ROW SEAT**



**CENTER SECOND ROW SEAT CUSHION COVER**

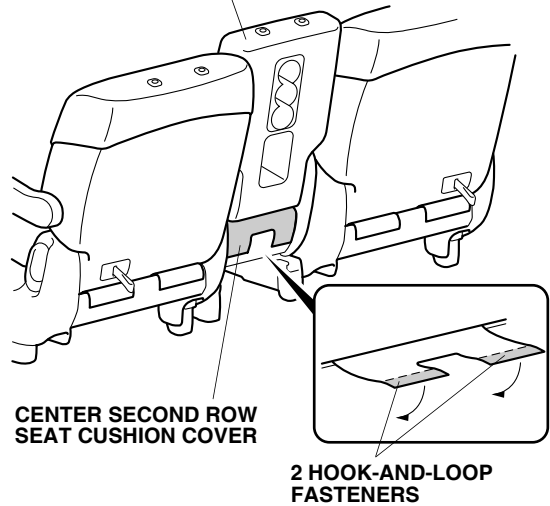
**CENTER SECOND ROW SEAT CUSHION**

- Install the center second row seat cushion cover to the center second row seat in the order

**1** → **2** → **3**.

- Secure the center second row seat cushion cover to the center second row seat with the two hook-and-loop fasteners.

**CENTER SECOND ROW SEAT BACK COVER**



**CENTER SECOND ROW SEAT CUSHION COVER**

**2 HOOK-AND-LOOP FASTENERS**

- Reinstall the headrests.