

**INSTALLATION
INSTRUCTIONS**

Accessory

**WOOD GRAIN TRIM KIT
(DASHBOARD)**

Application

**2009 ODYSSEY
(EXCEPT LX)**

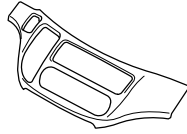
Publications No.

All 40238

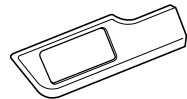
Issue Date

AUG 2008**PARTS LIST**

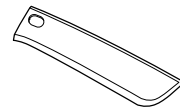
Wood-grain center panel



Wood-grain switch panel



Wood-grain console lid panel

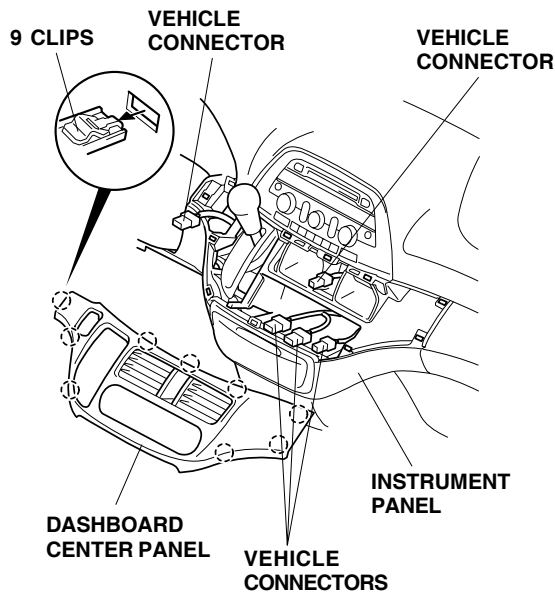
**SUPPLIES REQUIRED**

Shop towel

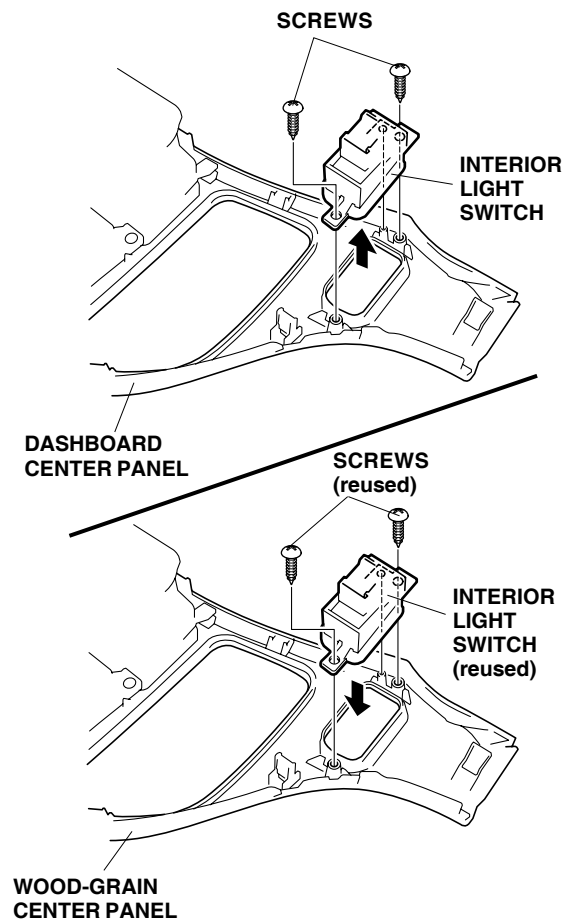
Masking tape

KTC trim tool set, T/N SOJATP2014

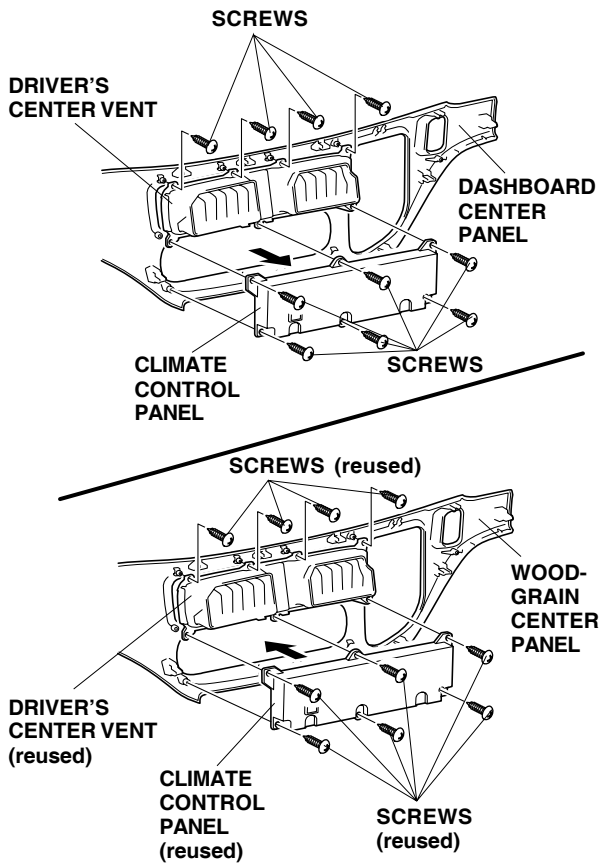
- Starting near the select lever, gently pry up on the dashboard center panel to release the nine clips. Disconnect the vehicle connectors, and remove the dashboard center panel.



- Remove the interior light switch (two screws), and transfer the switch to the wood-grain center panel.

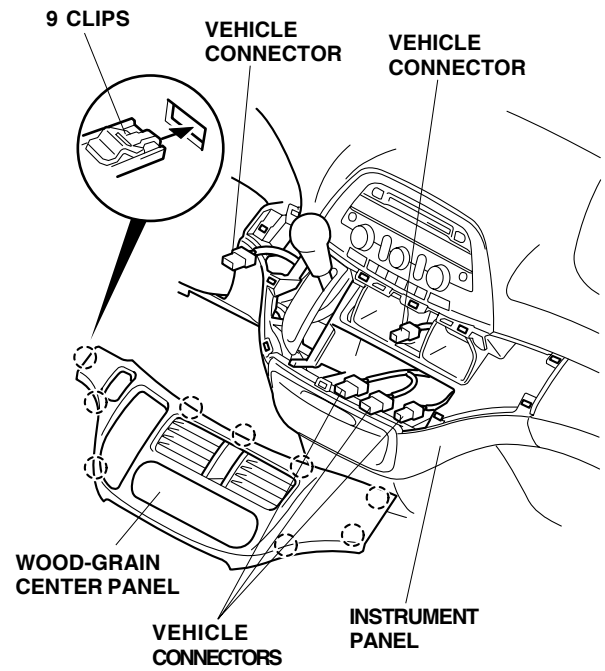


- Remove the driver's center vent (four screws), and transfer the center vent to the wood-grain center panel.

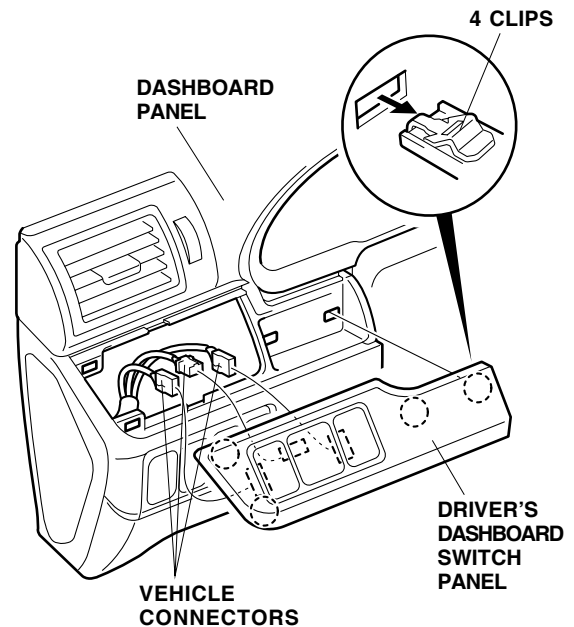


- Remove the climate control panel (six screws), and transfer the control panel to the wood-grain center panel.

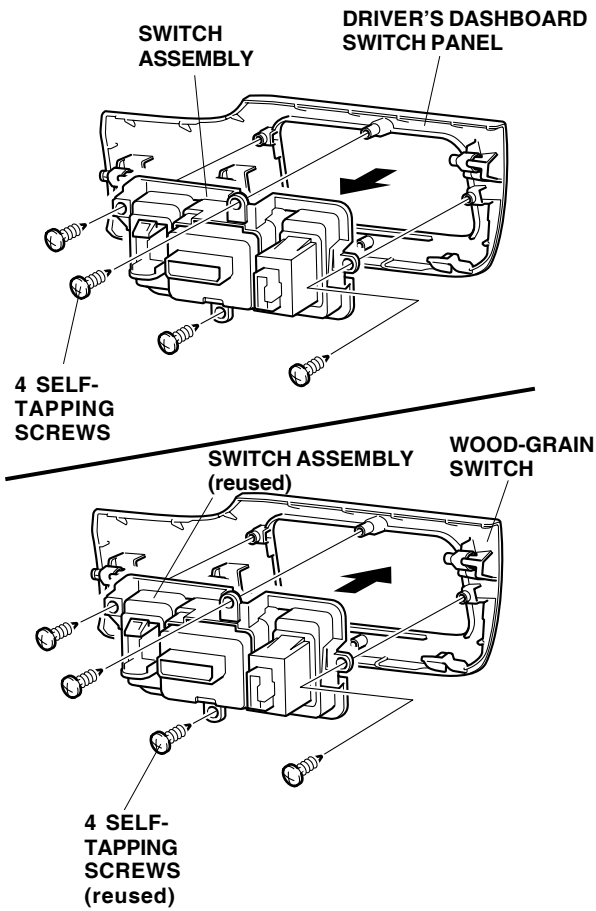
- Plug in the vehicle connectors, and install the wood-grain center panel to the dashboard.



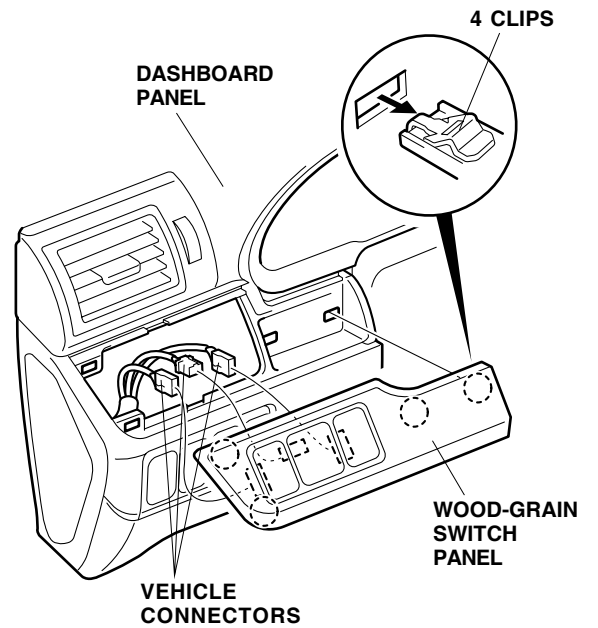
- Remove the driver's dashboard switch panel (four clips), and unplug the vehicle connectors.



7. Remove the switch assembly (four screws), and transfer the switch assembly to the wood-grain switch panel.



8. Plug in the vehicle connectors, and install the wood-grain switch panel.



9. Remove the passenger's console panel (six clips), and install the wood-grain console panel.

