



# INSTALLATION INSTRUCTIONS

Accessory  
**BACK-UP SENSOR**

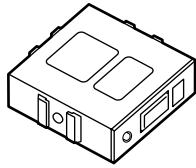
Application  
**2008 ACCORD  
2-DOOR**

Publications No.  
**All 37561**  
Issue Date  
**SEP 2007**

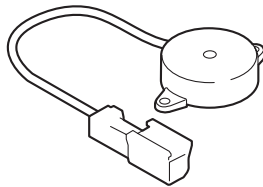
## PARTS LIST

**Back-up Sensor Attachment Kit**  
**P/N 08V67-TE0-100A**

Control unit



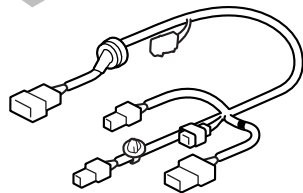
Beeper



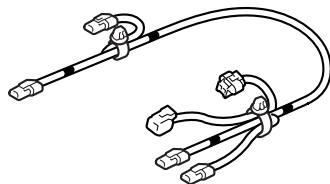
4 Sensor clips



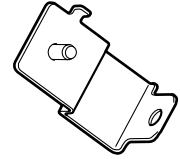
Back-up sensor harness



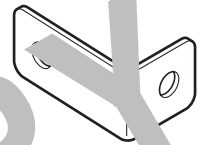
Back-up sensor subharness



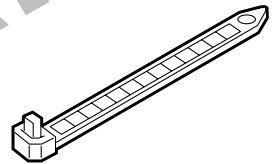
Control unit bracket (L4)



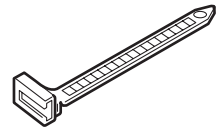
Control unit bracket (V6)



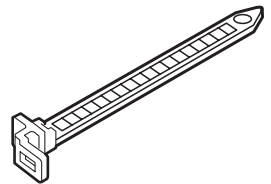
13 Wire ties



Wire tie with clip

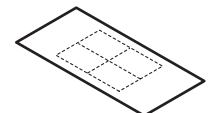
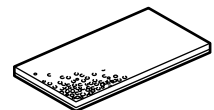


2 Wire ties with holder



2 Urethane tapes

Fuse label



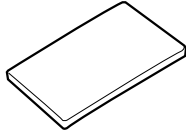
Flange bolt, 6 x 12 mm



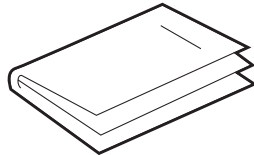
Flange nut



4 Harness tapes

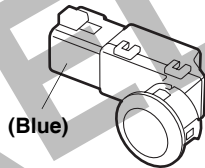


User's information manual



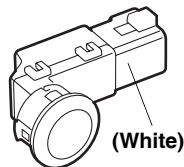
**Back-up Sensor Kit  
P/N 08V67-TE0-100K**

2 Center sensors



(Blue)

2 Corner sensors



(White)

## TOOLS AND SUPPLIES REQUIRED

Phillips screwdriver

Flat-tip screwdriver

Ratchet

8 mm and 10 mm Socket

Pushpin

Drill

3 mm Drill bit

24 mm and 26 mm Hole saw

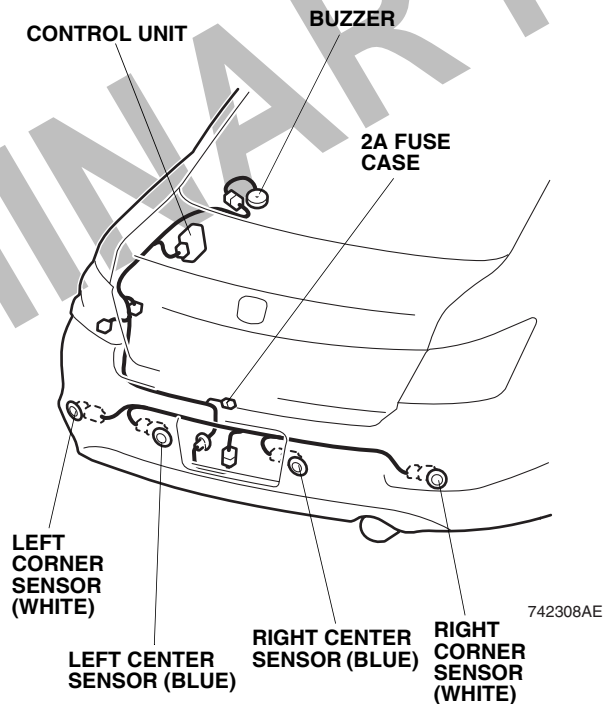
Ruler

Eye protection (safety goggles, face shield, etc.)

10 mm Combination wrench

File

### *Illustration of the Back-up Sensor Installed on the Vehicle*

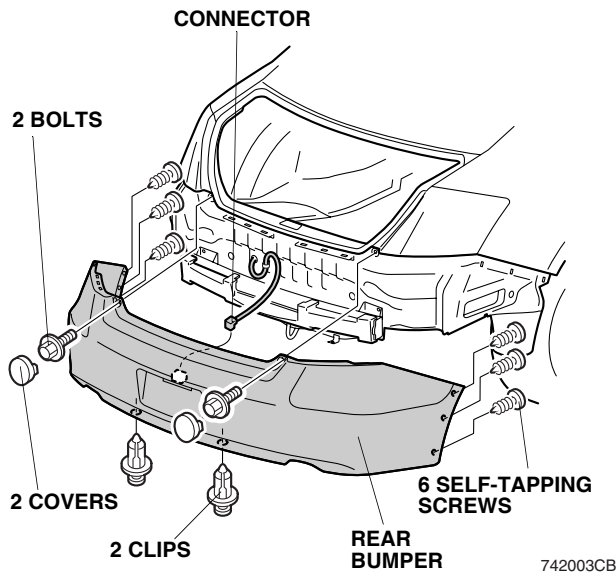


## INSTALLATION

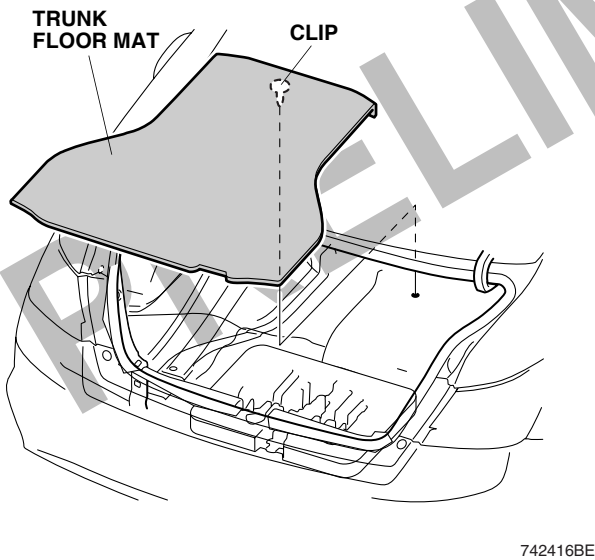
**Customer Information:** The information in this installation instruction is intended for use only by skilled technicians who have the proper tools, equipment, and training to correctly and safely add equipment to your vehicle. These procedures should not be attempted by "do-it-yourselfers."

1. Make sure you have the anti-theft code for the radio and navigation system (if equipped), then write down the radio presets.
2. Disconnect the negative cable from the battery.

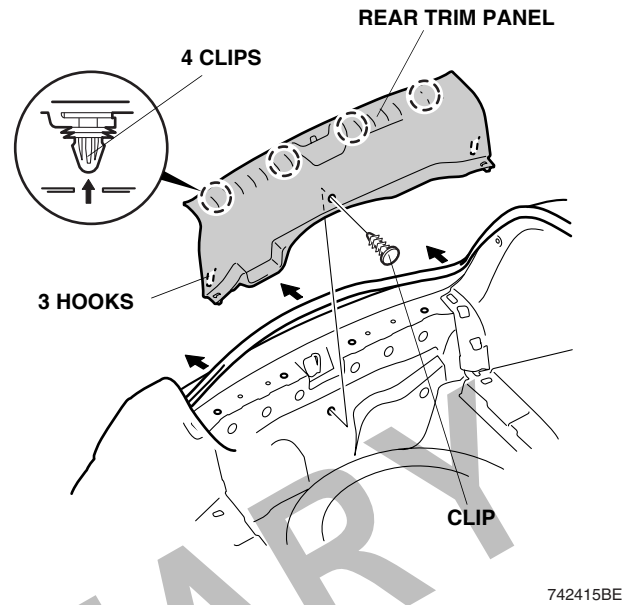
- Remove the two covers from the rear bumper and remove the rear bumper (two bolts, six self-tapping screws, two clips, and unplug one connector).  
NOTE: Have an assistant help you remove the rear bumper.



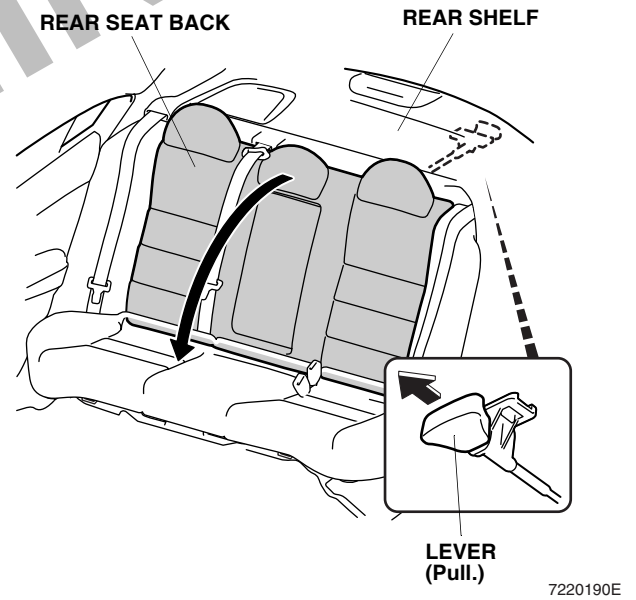
- Remove the trunk floor mat (one clips).



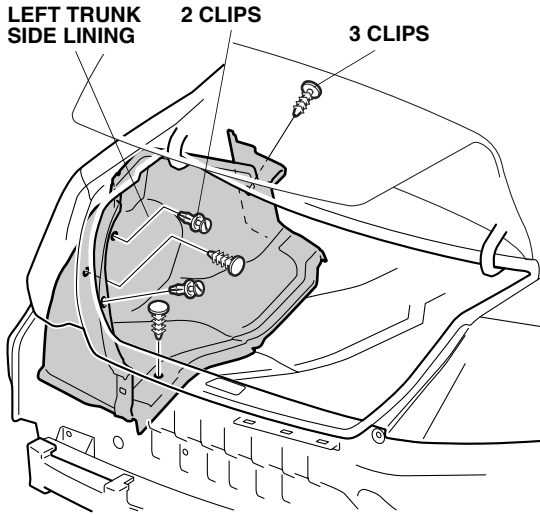
- Remove the rear trim panel (five clips and three hooks).



- Fold down the rear seat back by pulling the lever under the rear shelf inside the trunk.

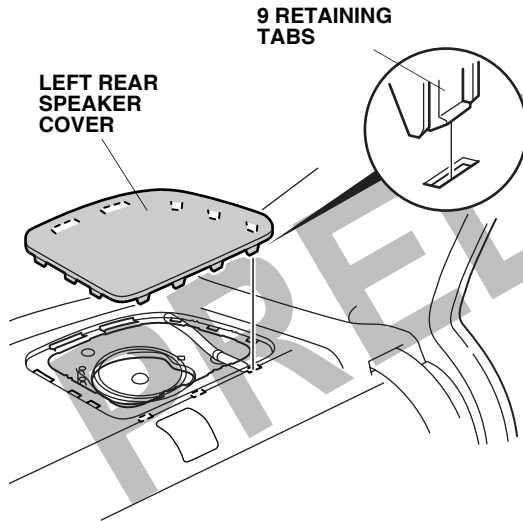


7. Remove the left trunk side lining (five clips).



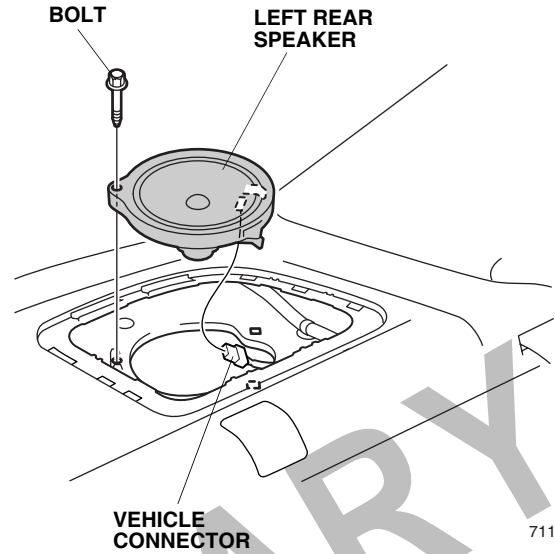
742417BE

8. Remove the left rear speaker cover (nine retaining tabs).



742418AE

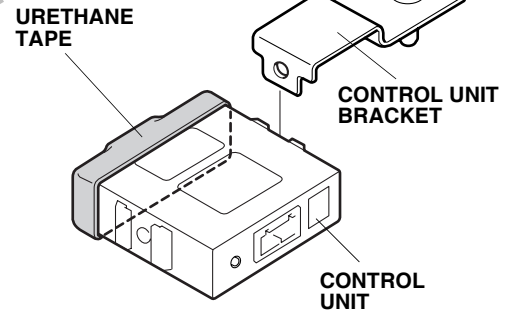
9. Remove the left rear speaker (one bolt and disconnect the vehicle connector).



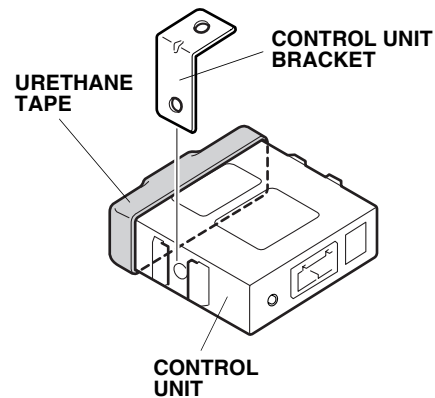
7115040E

10. Wrap urethane tape around the control unit at the area shown. Then, attach the control unit bracket into the control unit.

**L4 MODEL**



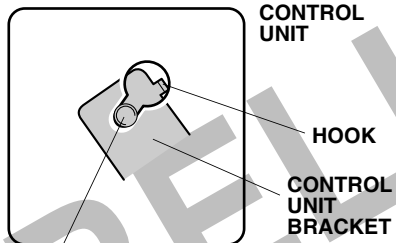
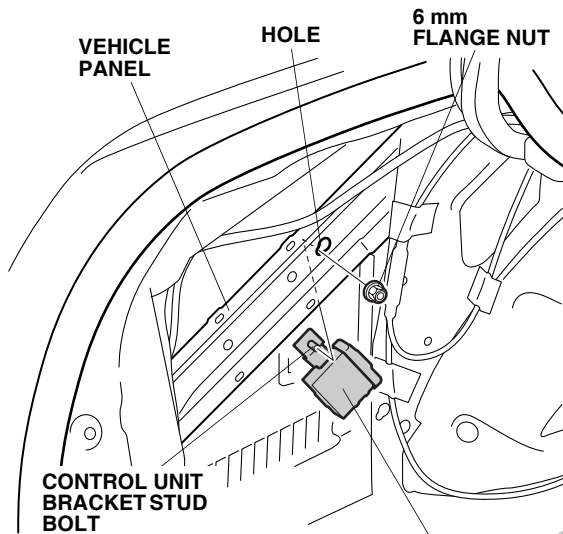
**V6 MODEL**



761205CE

## L4 Model

11. Install the control unit to the vehicle panel:
  - Partially thread the 6 mm flange nut onto the control unit bracket stud. Insert the control unit bracket stud into the hole in the vehicle panel. Tighten the 6 mm flange nut to secure the bracket to the vehicle panel.

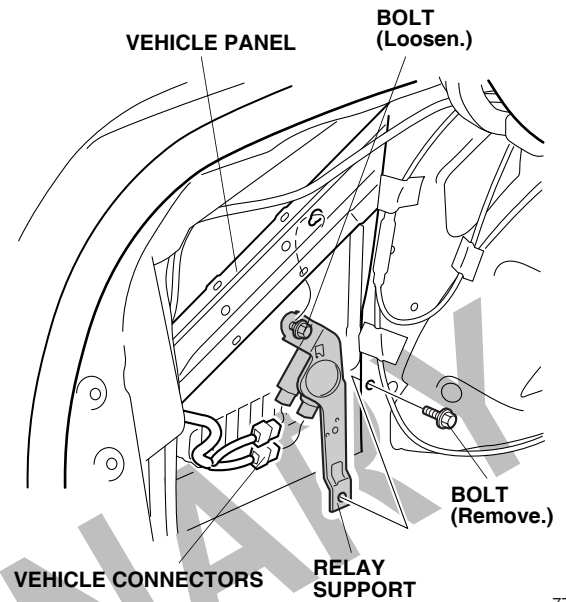


STUD BOLT

742311CE

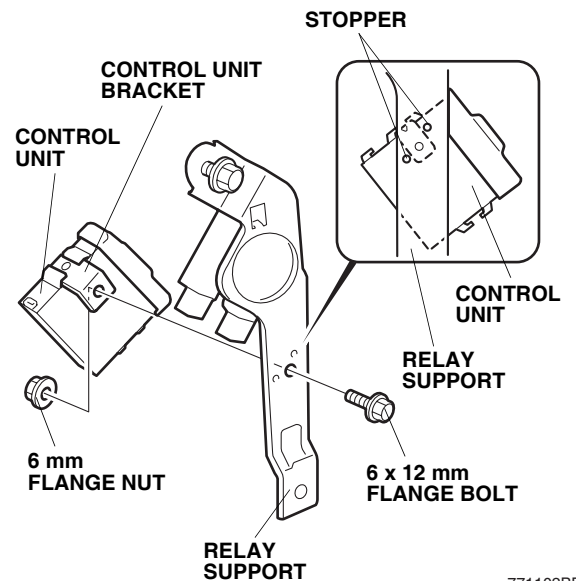
## V6 MODEL

- Loosen the upper bolt from the relay support. Remove the relay support (one bolt and disconnect the vehicle connectors).



771101AB

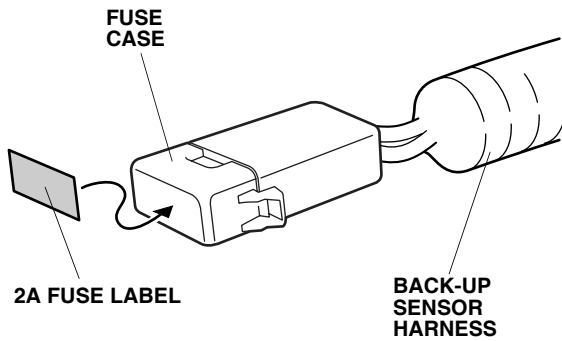
- Install the control unit bracket to the relay support using the 6 x 12 mm flange bolt and the 6 mm flange nut.



771102BB

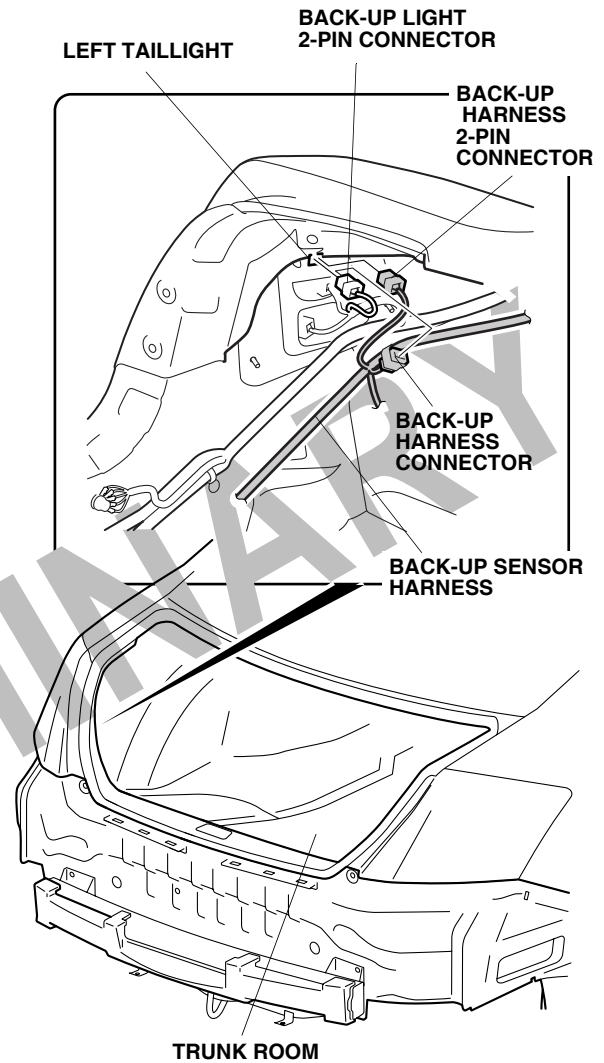
- Reinstall the relay support.

12. Attach the 2A fuse label to the fuse case on the back-up sensor harness.



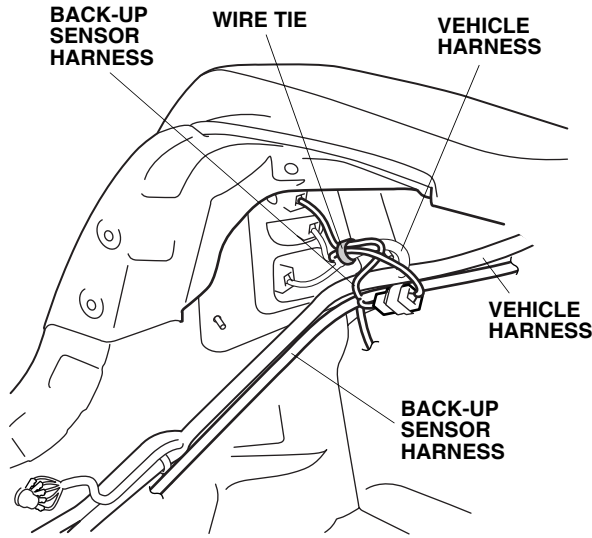
742312AE

13. Disconnect the back-up light 2-pin connector from the left taillight, and plug it into the back-up sensor harness 2-pin connector. Plug the remaining back-up sensor harness 2-pin connector into the left taillight.



742313BE

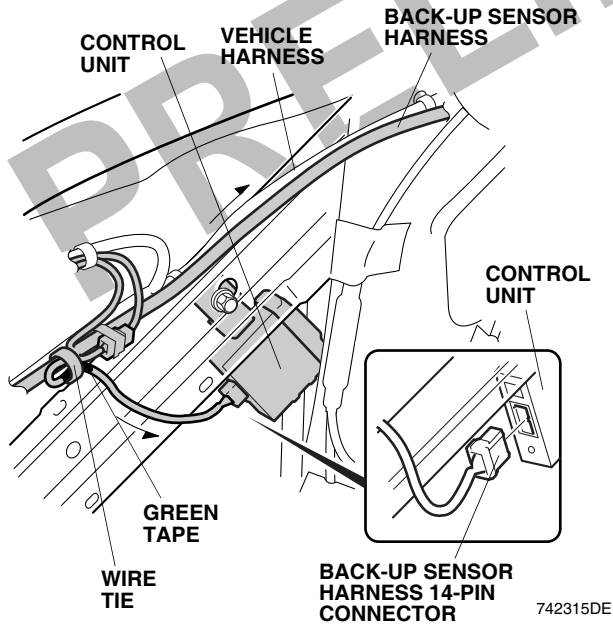
- At the left taillight, secure the back-up sensor harness to the vehicle harness with one wire tie.



742314BE

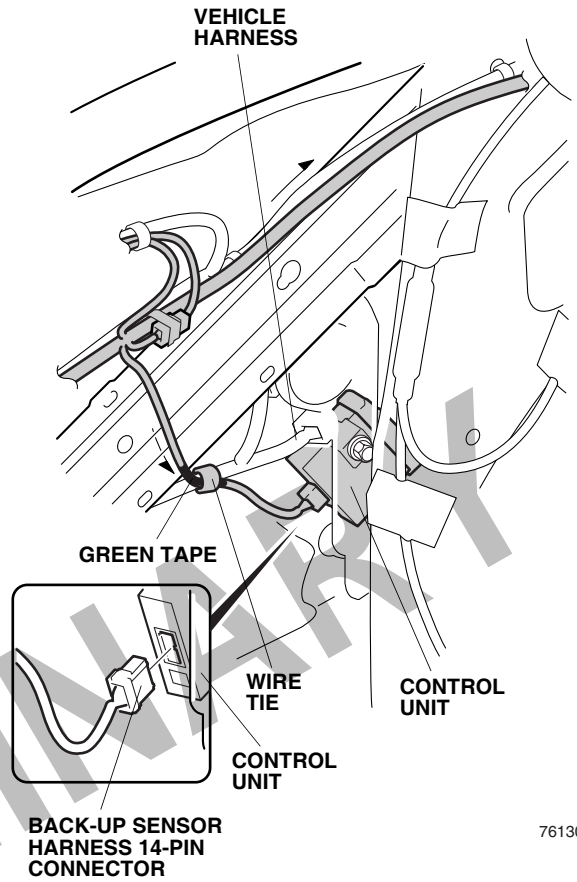
- Plug the back-up sensor harness 14-pin connector into the control unit, and route the harness forward along the vehicle harness. Secure the back-up sensor harness to the vehicle harness at the green tape.

**L4 MODEL**



742315DE

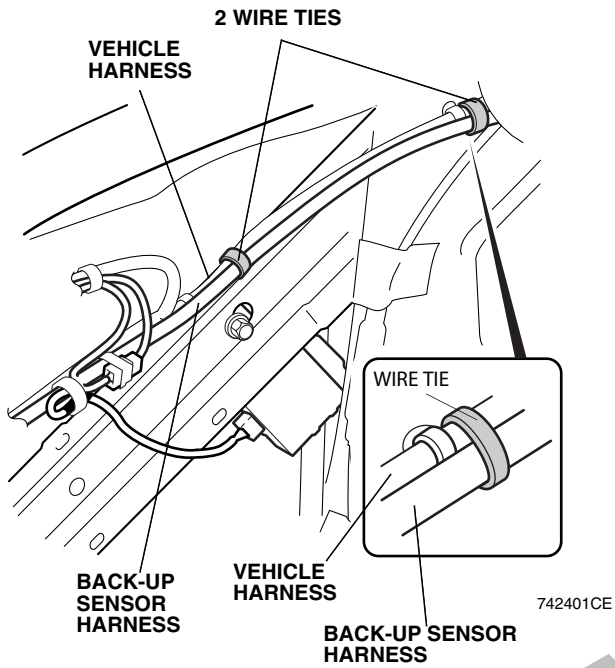
**V6 MODEL**



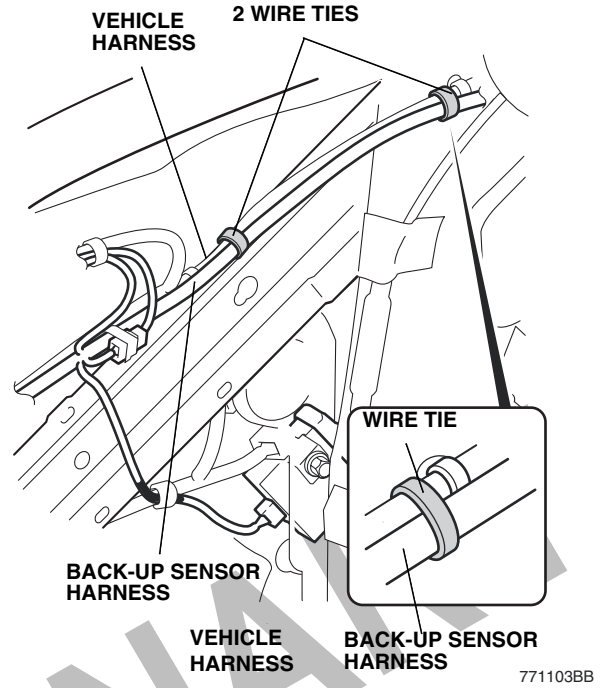
761301CE

- Secure the back-up sensor harness to the vehicle harness with two additional wire ties at the locations shown.

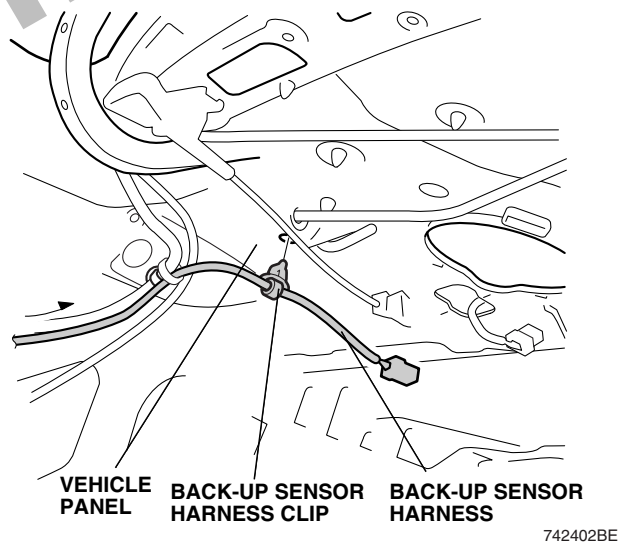
L4 Model



## V6 MODEL

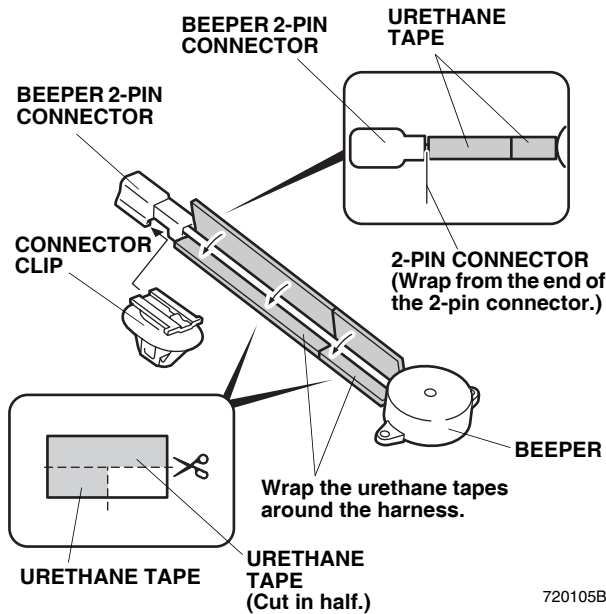


- Secure the back-up sensor harness clip to the hole in the vehicle panel.

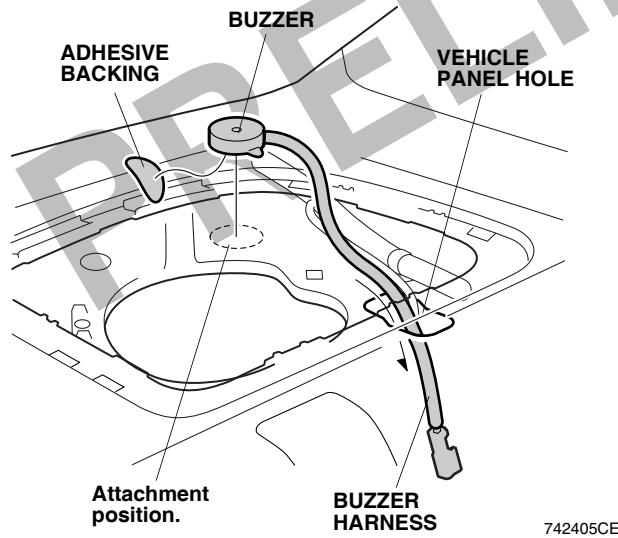




18. Using scissors cut one urethane tape in half, and then cut one of the halves again. Wrap the cut pieces around the beeper harness shown.
19. Install the connector clip to the beeper 2-pin connector.

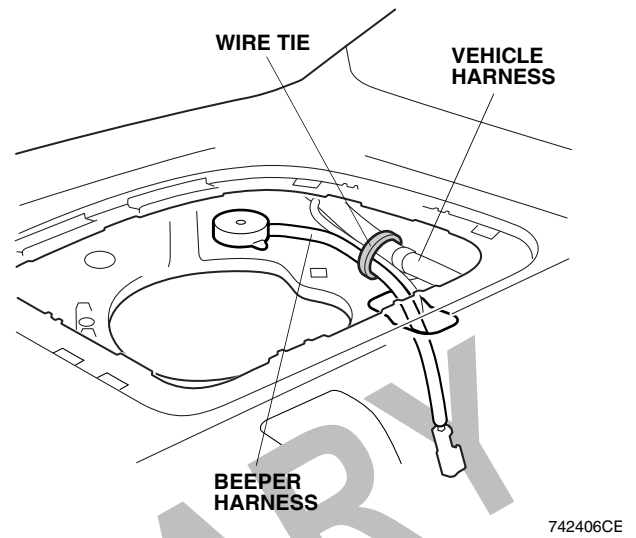


20. Using an isopropyl alcohol on a shop towel, clean the vehicle panel where the beeper will attach.

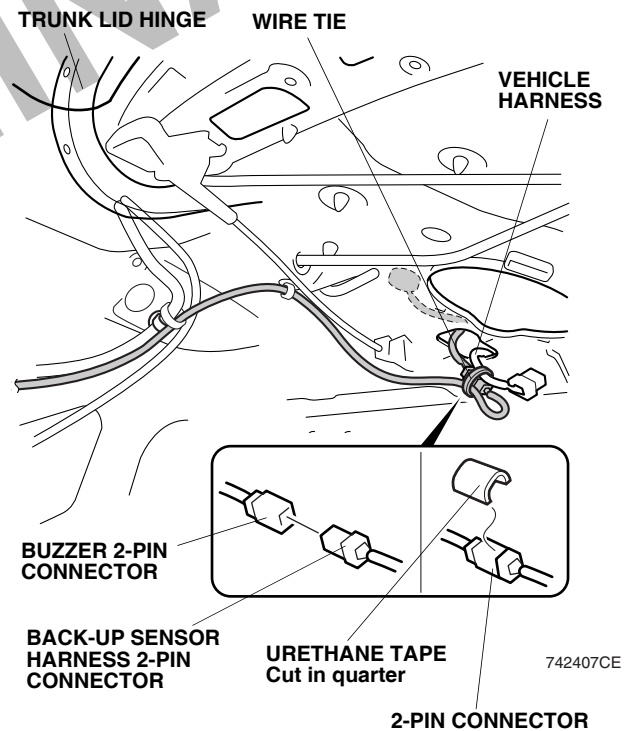


21. Remove the adhesive backing from the beeper, and attach it to the opening in the left rear speaker, at the location shown. Route the beeper harness through the hole in the rear shelf.

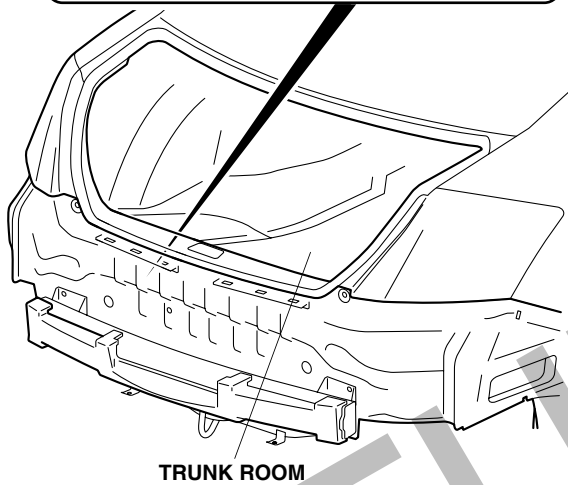
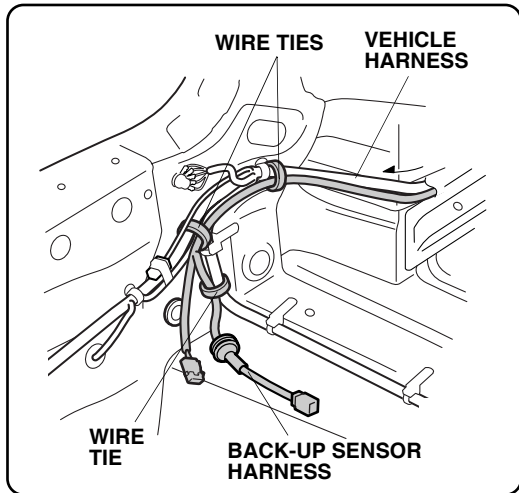
22. Secure the beeper harness to the vehicle harness with one wire tie.



23. Plug the beeper 2-pin connector into the back-up sensor harness 2-pin connector.

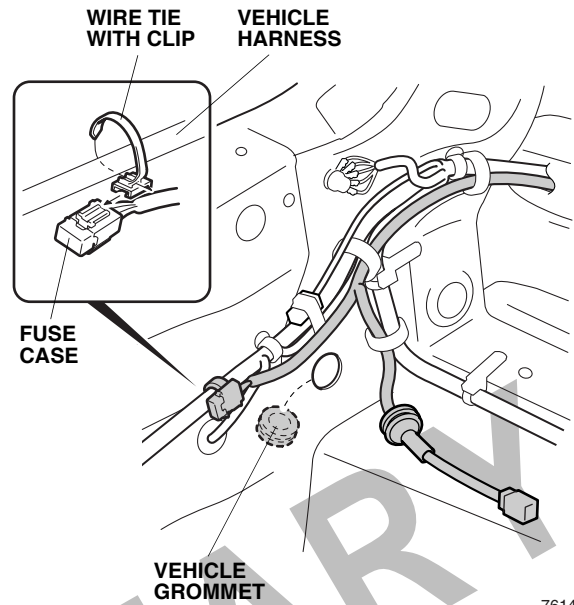


24. Wrap the remaining piece of a urethane tape around the connector.
25. Secure the 2-pin connection to the vehicle harness with one wire tie.
26. Route the back-up sensor harness as shown and secure it to the vehicle harness with three wire ties.



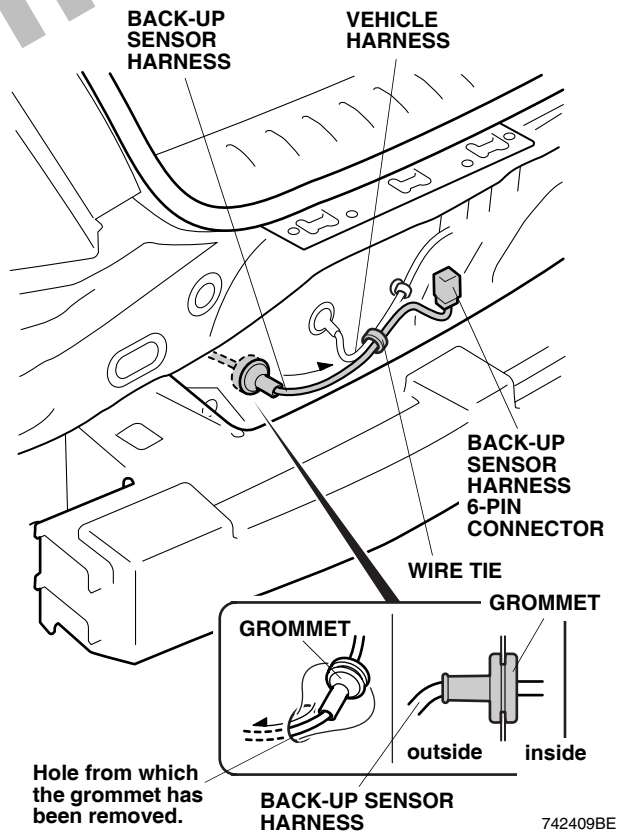
742408CE

27. Install one wire tie with clip to the holder with the fuse case, and attach the wire tie to the vehicle harness.



761402AE

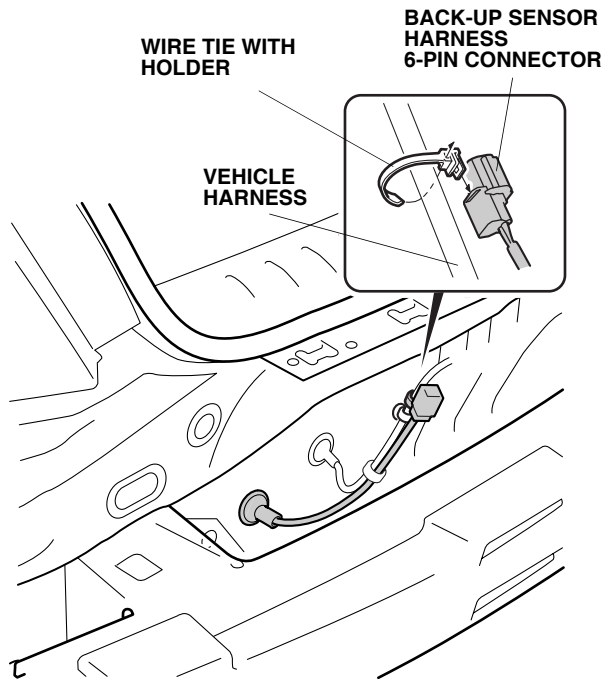
28. Remove the vehicle grommet from the rear panel.
29. Route the back-up sensor 6-pin connector through the hole in the rear panel, and seat the harness grommet in the rear panel hole.



742409BE

30. Secure the back-up sensor harness to the vehicle harness with one wire tie.

31. Install one wire tie with holder to the back-up sensor harness 16-pin connector, and attach the wire tie to the vehicle harness.

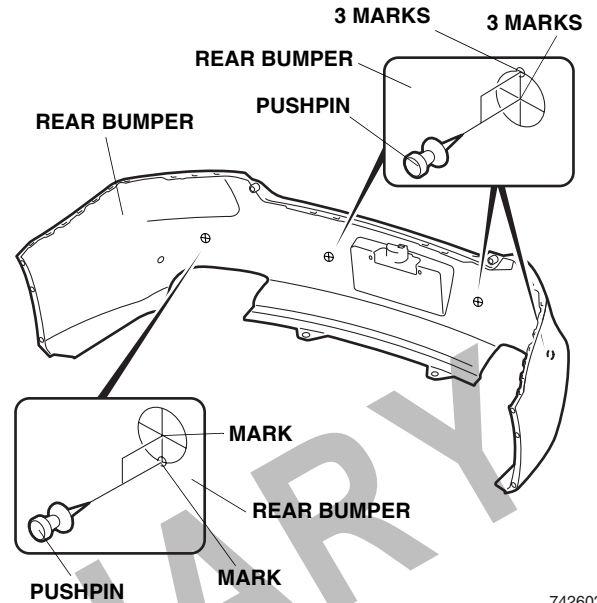


742410BE

32. Mark the inside of the rear bumper:

- Locate the three marks on the inside of the bumper at the center and left side.
- Using a pushpin, pierce the rear bumper at the top and center of the three marks.
- Locate the three marks on the inside rear bumper on the right side.
- Using a pushpin, pierce the rear bumper at the bottom and the center of the right mark.

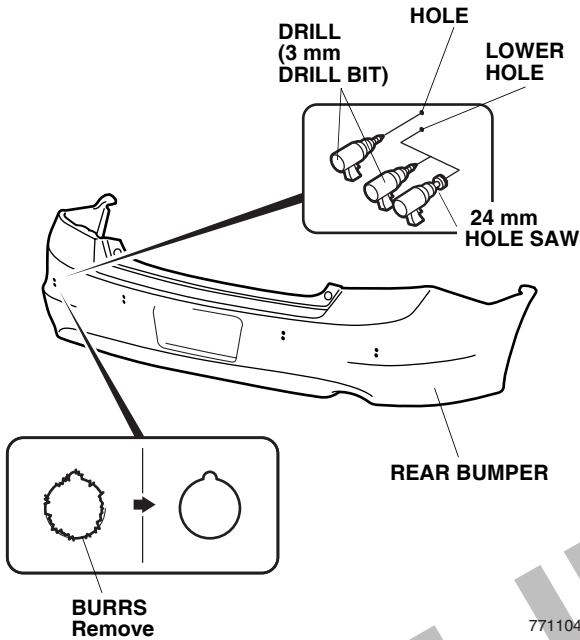
NOTE: There are several markings on the inside of the rear bumper. Before piercing the rear bumper, verify you have the correct locations.



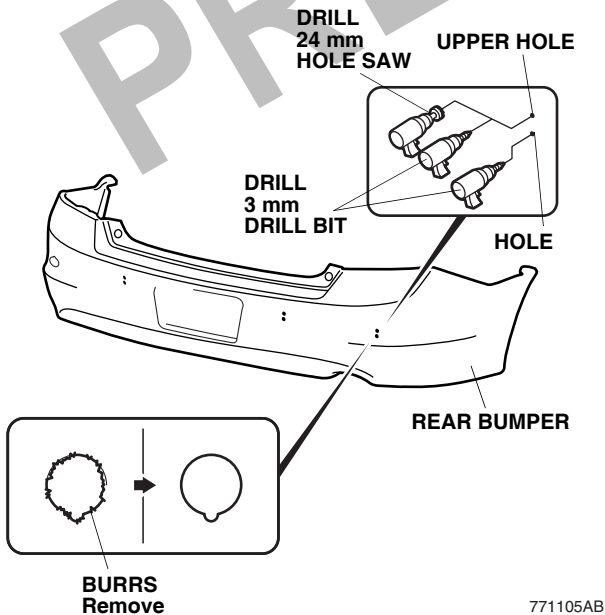
742603BE

33. While wearing eye protection drill the rear bumper:  
 NOTE: Center sensors are 26 mm holes, side sensors are 24 mm holes.

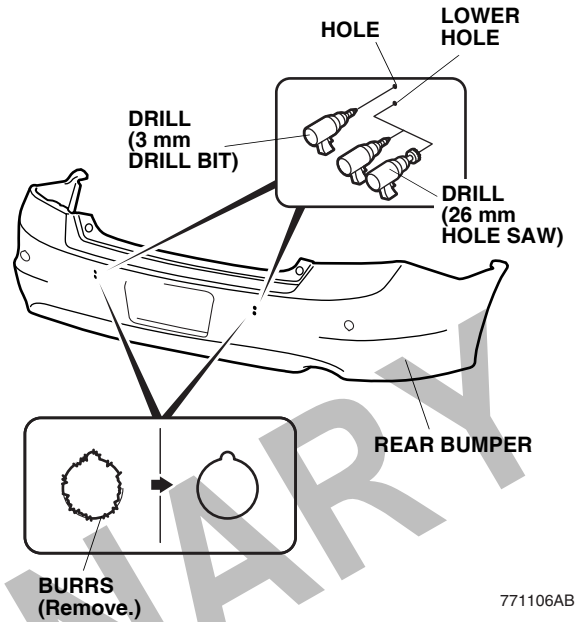
- From the outside of the bumper, drill all eight pierced marks using a 3 mm drill bit.
- Using a 24 mm hole saw, enlarge the **lower** outboard hole on the left side of the bumper. Remove all burrs.



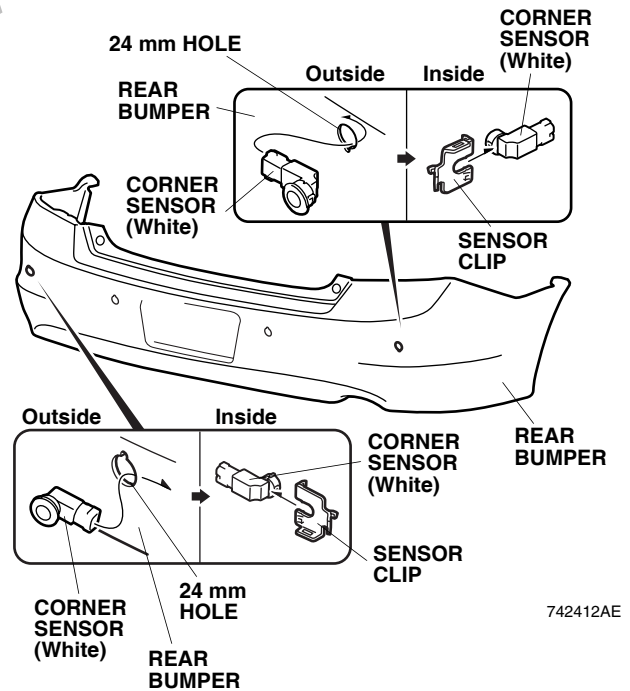
- Using a 24 mm hole saw, enlarge the **upper** outboard hole on the left side of the bumper. Remove all burrs.



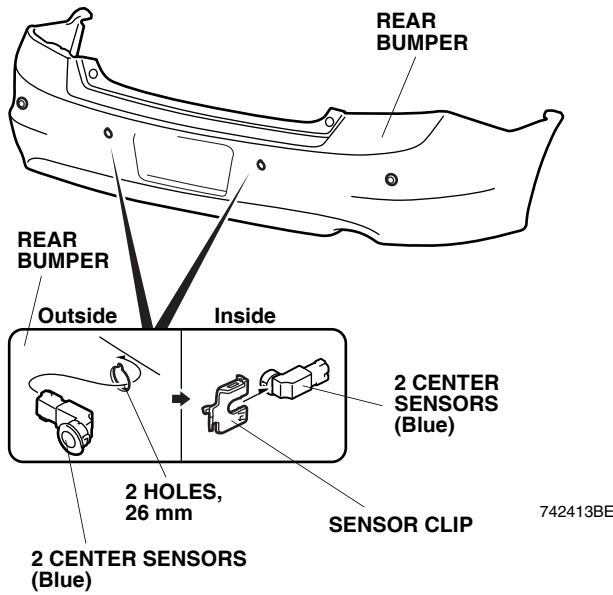
- Using 26 mm holes saw, enlarge both **lower** in board bumper holes at the center of the bumper. Remove all burrs.



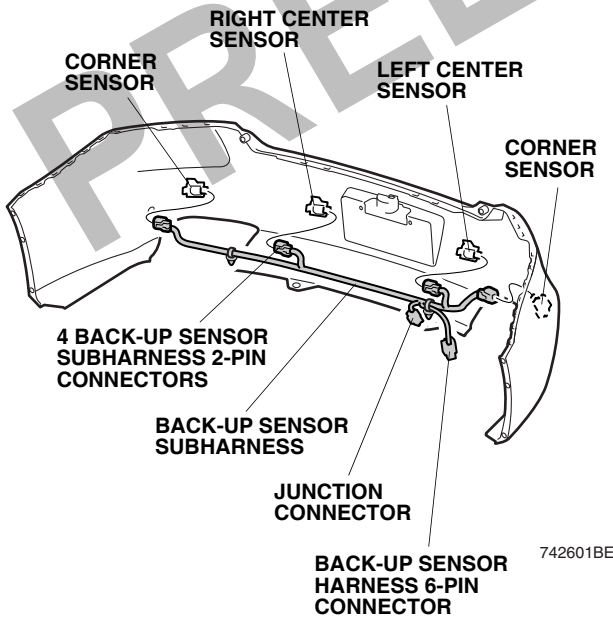
34. Install the two corner sensors into the 24 mm holes in the rear bumper using the sensor clips. Not the direction and the pin location for each sensor.



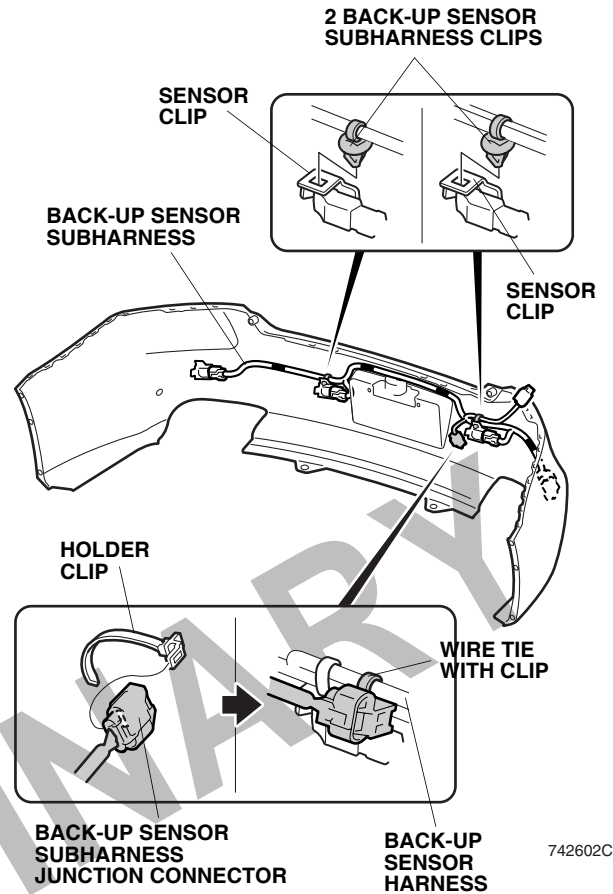
35. Install two center sensors into the 26 mm holes in the rear bumper using the sensor clips. Note the direction and location for each sensor.



36. Plug the four back-up sensor subharness 2-pin connectors into each back-up sensor connector. NOTE: The back-up sensor harness 6-pin connector and the junction connector must be positioned on the left side of bumper.

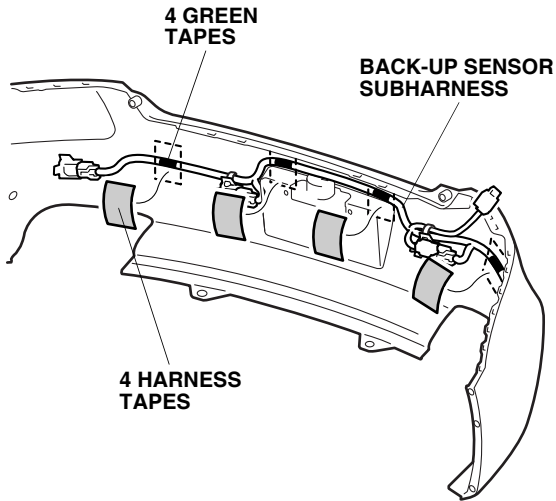


37. Attach the two center backup sensor subharness clips to the holes in each center sensor clip.



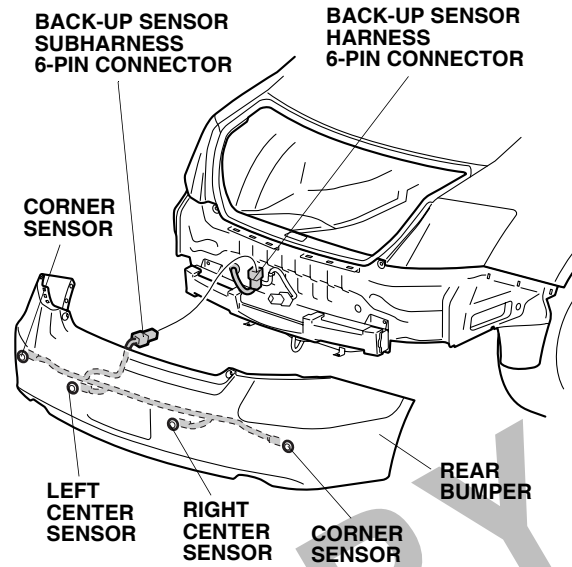
38. Secure the subharness to the bumper using four harness tapes in the locations shown.
39. Attach one wire tie with holder clip to the back-up sensor subharness junction connector and secure the wire tie to the vehicle harness.

40. Using isopropyl alcohol on a shop towel, clean the area where the harness tapes will attach.



771107BB

41. At each green tape location, attach the back-up sensor subharness to the rear bumper with four harness tapes.
42. Plug the back-up sensor harness 6-pin connector into the back-up sensor subharness 6-pin connector, then reinstall the rear bumper.
- NOTE: Have an assistant help you install the rear bumper.

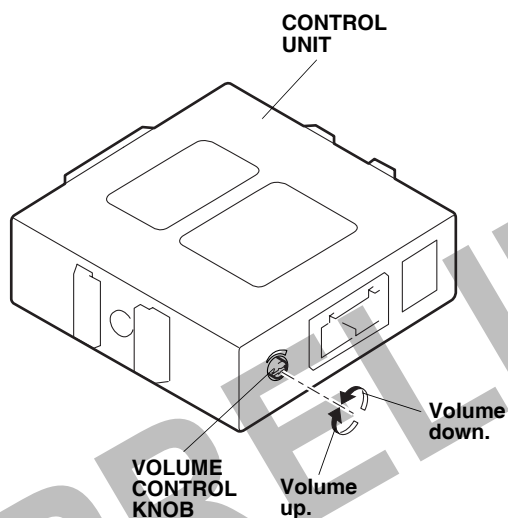


761302AE

43. Check that all wire harnesses are routed properly and that all connectors are plugged in.
44. Reinstall all removed parts.
45. Reconnect the negative cable to the battery.
46. Enter the anti-theft codes for the radio and navigation systems (if equipped), then enter the customer's radio presets.
47. Reset the clock.
48. Check that the back-up sensors work properly as described in the Accessory User's Information Manual supplied.

### **Beeper Volume Control**

Factory setting of the volume control knob on the control unit is turned to maximum volume. After confirming the operation check, turn the volume control knob to the appropriate volume.



771108AB